

## FIELD DAY STATISTICS

It was a beautiful day for Field Day. The sun was shining, the temperature was pleasant, and the wind was minimal.

About 15 amateurs from **STARS** came out for 24 hours to make as many contacts as possible, in what is undeniably the world's largest amateur event.

When the transmitters were finally given a rest, **STARS** made 822 CW contacts and 337 phone contacts. After multipliers were applied for emergency power, transmissions under 150 watts, and CW modes, the final point score for **STARS** was 3981. Time will tell how well we did in relation to other operators.

The Field Day activities were visited by **Thomas J. Moses, Sr.**, Mayor of the Village of Hamburg, as well as **Judy Levan, N2TEZ**, the Buffalo NWS Warning Coordination Meteorologist.

Thanx go to **Patrick Groom, KC2VWG**, for being the Field Day Chairman, and for making this a successful event.



**Thomas Moses, Sr.** (left), Village of Hamburg Mayor, learns about **STARS** Field Day activities from **John Leitten, KA2RFT** (center). Listening on the right is **Conrad Barrick, KC2WRY**.

## ISS TO VISIT STARS ANNUAL PICNIC

The **International Space Station** will be visible from the **STARS** Annual Picnic on August 7th. The dark environment of the Nike Base Clubhouse will be ideal for viewing the station.

See the bottom left corner of page 2 for details.

## CLUB OFFICERS

President	Ken Pokigo, KC2AYK
Vice President	John Leitten, KA2RFT
Secretary	Mettieirene Wagner, KD2DFQ
Financial Sec'y	Judy Levan, N2TEZ
Treasurer	John Czuba, W2IV
Director (1 yr.)	Conrad Barrick, KC2WRV
Director (2 yr.)	Jon Hall, KC2QKB
-----	
Clubhouse Chair	Pat Groom, KC2VWG
Telstar Editor	Tom Dean, KA2NXY
Webmaster	Don Niles, K2PMC

## WE DID NOT GOOF

No one reported any errors in the last issue. If ewe sea sum thing that is knot correct, lettuce no at:

[wb2elw@verizon.net](mailto:wb2elw@verizon.net)

## BLUE AND UNDERLINED

When you see something in TELSTAR in blue letters and underlined, that means it is an Internet link. Hold the "Control" key and click on the link to open.

Try it! → [sample link](#) (control + click)

## ANNUAL PICNIC

**STARS** will hold its annual family picnic following a short meeting at 7:00 PM on Thursday, August 7<sup>th</sup>. The event will take place at the Nike Base Clubhouse Station, just west of the Hamburg Town Arena, at 2982 Lakeview Road, Hamburg.

Members are asked to bring a side dish to share (salads, starches, snacks and desserts are great). The Club will provide hamburgers and hot dogs prepared by the All **STARS** Culinary Team, as well as beverages.

**STARS** members are invited to bring family members, or friends. (Pet snakes, alligators and peeves should be left at home.)

While the Club does have some seating, you may be more comfortable in a lawn chair of your choosing. Other picnic furniture is also acceptable. Electronic fly swatters may be useful and entertaining.

New for this year, the **International Space Station** will be visible from the picnic at 9:11 PM for 6 minutes, and again at 10:52 PM for 2 minutes.

Will we be able to contact it via amateur radio?

## STARS MEETINGS

**STARS** meetings are *usually* at 7:00 PM on the first Thursday of each month, at the Hamburg Memorial Youth Center.

However, for August, a shortened meeting will be held on **August 7<sup>th</sup>**, at 7:00 PM, at the Nike Base Radio Clubhouse, at 2982 Lakeview Road. The annual family picnic will follow.

All are welcome,

The **STARS** board usually meets at 7:00 PM on the fourth Thursday of each month at the Nike Base Radio Clubhouse, just west of the Hamburg Town Arena, 2982 Lakeview Road, Hamburg.

The June board meeting will be at 7:00 PM, on **August 28<sup>th</sup>**, at the Nike Base Radio Clubhouse.

All members are welcome.

## CLUB NETS

Saturdays	10:00 AM	3.925 MHz +/- QRM
Sundays	9:30 AM	28.380 MHz
Sundays	10:30 AM	147.09 MHz (repeater)



## FROM THE PRESIDENT

This year has been moving along great so far for the **STARS** organization. We have accomplished several of our objectives that were planned for this year. The remodeling of the clubhouse operating room is just about complete. It looks very professional and is a great improvement to our clubhouse. Great job to all who contributed!

### Wi-Fi:

An important objective was our commitment to providing general public Wi-Fi service at the Nike Base for all to enjoy. This is now functional and is working great! We got a hand from the Hamburg Fire Department to lift **Ed Jablonski, KC2YMN**, high into the air to install both the 2.4 gigahertz antenna and the electronics into the box at the top of the tower. The new antenna has about 9 dB of gain and covers just about the entire Nike Base property with a good Wi-Fi signal. This Wi-Fi is free for use by all. The name of this over-the-air network is "**STARS\_Public**", and is not password protected. There is limited lease time and number of users so that we manage the public internet bandwidth within reason. We have been monitoring the Wi-Fi use and we see several folks have been taking advantage and enjoying its convenience. This is an example of amateur radio clubs doing a public service; we are glad to help the Town of Hamburg.

Speaking of Wi-Fi, another improvement to our clubhouse capability is we now have our own private Wi-Fi access point to use at the clubhouse for our own purposes. Of course we have higher speed and greater bandwidth rights for club members to use while at the clubhouse. This network is called "**STARS\_AP**" and is password and encryption protected to be used by **STARS** members only.

These internet and Wi-Fi capabilities are a great as-

set to our club and can provide for a lot of benefits. It has taken a fair amount of work to accomplish this and "hats-off" to all who helped out, (especially our own "Spiderman").

### Annual Fundraiser:

The **STARS** Board of Directors has decided that we will have a major annual fundraiser this year and it will again be a Chinese Auction. Since no one volunteered to step-up and be the fundraiser chairman, we will be planning and running this year's auction by committee.

This means that various people will be appointed to positions to make sure we have a successful auction once again this year. We will still be expecting additional volunteers to take on responsibilities to help make this happen. Contact a Board member (listed on page 2) with your offer to help.

The fundraiser is tentatively planned for October 2<sup>nd</sup> and will likely be at the same location as last year.

### Next Month's Meeting Program:

The program for next months general membership meeting will be our annual cookout. Family and friends of **STARS** members are invited to come along with **STARS** members to enjoy the food etc.

Your President,

Ken

KC2AYK



## MICHAEL WACLAWSKI KB2MSW — SK

It is with sadness we report the passing on July 2<sup>nd</sup>, 2014, of **Michael "Mick" Waclawski, KB2MSW**.

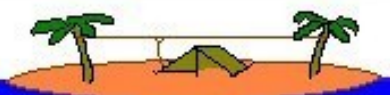
Mick was a previous member of **STARS**.

Mick was confined to a wheelchair following an accident in 1980. Despite his handicaps, he maintained the highest amateur license, Amateur Extra. He was also certified as an ARRL Volunteer Examiner.

# UP with antennas



by Don - K2PMC



This month we are going to look at a 40 meter Half Square antenna that will make your signal one of the bigger ones as you chase that elusive DX station. But first, a little background.

In order to successfully achieve long distance communications on 40 meters, your antenna take off angle must be between 3 and 20 degrees. This requirement mandates a vertically polarized antenna, or an ungodly high horizontal antenna of which one can only dream. Figure 1 is a diagram of a Bobtail Curtain antenna.

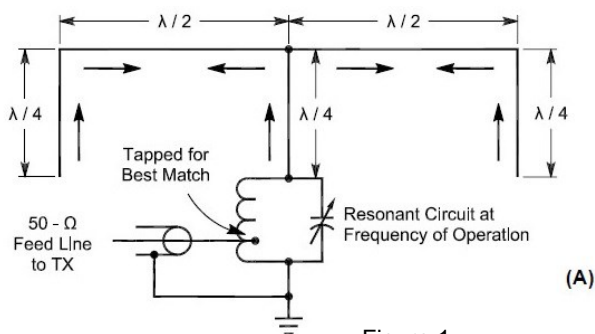


Figure 1

I have built a Bobtail Curtain antenna and can vouch for the fact that they lay down a low angle vertically polarized bidirectional (figure 8) pattern. They are also quite large, ~132 feet long and ~33 feet high. But, they do work very well for long haul stuff. The Half Square antenna grew out of experimentation with and modification of the Bobtail Curtain. Figure 2 is a diagram of an antenna I call the Half Square Jr. I'm sure you can see the relationship between the two.

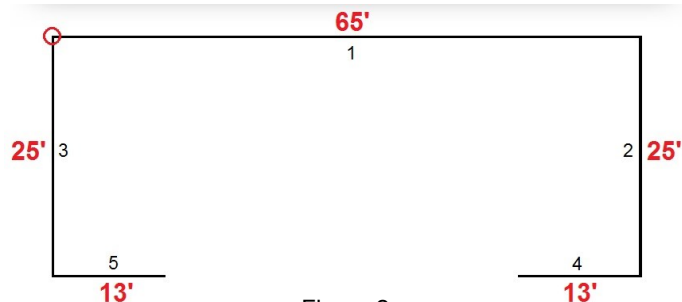


Figure 2

The Half Square Jr. is more compact than the Half

Square but surprisingly it performs as well as its bigger brother. The makeup of the wires is also quite flexible with the exception that you want to keep wire 1 very close to  $\frac{1}{2}$  wavelength long. In Figure 2, wires 4 and 5 are 5 feet off the ground which would give the antenna an overall height of 30 feet. Wires 4 and 5 cannot lay on the ground and as they approach ground level, the gain will be reduced. Of course, raising the antenna always helps.

The red circle on the diagram is where you would feed the antenna with 52 ohm coax. The coax should be brought away at a right angle from the antenna to avoid coupling to the wire. The antenna could just as well be fed at the junction of wires 1 and 2.

As with all coax fed dipoles you will require a current choke at the feed point. You can make your own by winding 9 turns of RG-58 coax on a 6 inch diameter form. You will need 14 feet of coax for this and allow an extra foot on either end for connectors. Alternatively, you can always buy a Current Choke or wind one on a toroid core or ferrite rod.

Figure 3 below is an Azimuth projection of the Half Square Jr. and a 40 meter dipole, both at a height of 30 feet.

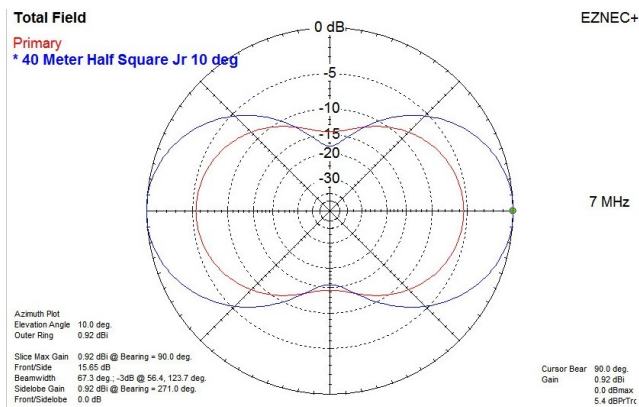


Figure 2

(Continued on page 5)

(Continued from page 4)



As you can see, at 10 degrees elevation the Half Square Jr. is >5 dB stronger than the dipole. Your 100 watt signal would sound like almost a 400 watt signal to the station on the other end. Not bad for such a compact antenna!

By the way, if you have an antenna in mind that you would like me to cover, send me an email and I'll see what I can do.

See you next month.....

73,

Don, K2PMC

*(Editor's note: If you have questions or comments regarding anything from "Up with Antennas", feel free to email Don Niles at:*

[k2pmc@arrl.net](mailto:k2pmc@arrl.net).)

## HAMFESTS

08/16/2014 [KLARA Hamfest](#)

**Location:** Howard Community Building  
7481 Hopkins Road  
Hornell, NY

**Sponsor:** Keuka Lake Amateur Radio Association (KLARA)

**Website:** <http://www.klara.us>

08/17/2014 CARS Club Hamfest

**Location:** Lakewood Rod & Gun Club  
433 East Terrace Ave  
Lakewood, NY

**Sponsor:** Chautauqua Amateur Radio Service

(control + click on name for full information)

## CELEBRATION FOR FAIR TRAIN ARRIVAL

The Erie County Fair is one of the largest in the country. A significant portion of the fair grounds includes carnival rides and games. Those rides and games are provided by the James E. Strates Shows, as they have been for many years.

What some may not know is that the show comes to Hamburg by railroad, on a lengthy "carnival train". The train unloads at the old Hamburg railroad station, near Scott Street and Pleasant Avenue, at which point carnival attractions are trucked to the fair site.

This year, the train's arrival will be met with celebratory fanfare for the 175th anniversary of the fair.

At 10:00 AM, on Friday, August 1st, the train will be met by banners, bands, dignitaries and press to mark the anniversary - the public is welcome.

## 1<sup>ST</sup> ANNUAL HAMFEST

### Chautauqua Amateur Radio Service

**Sunday, August 17th, 2014**

**Lakewood Rod & Gun Club  
433 East Terrace Ave  
Lakewood**

**Large Pavilion    Tail Gating    All tables: \$5.00**

**Open @ 10 AM - (Vendors @ 9AM)**

**Auction @ 2 PM**

**Amateur License Exams Held During the Day**

**Call-In Frequency: 146.79 MHz**

**More information: contact Dan Trippy, 487-7592**

# A SPRING AND SUMMER OF AMATEUR RADIO BUCKET LIST ITEMS ACHIEVED...

by Scott Barto, KB2KOL

Many have considered the hobby of amateur radio to be a manic-depressive hobby, characterized by periods of ebb and flow. School, family, and work often get in the way of active amateur radio participation. Although I was in a period of relative amateur silence while finishing my second Master's Degree, I quickly transitioned to active status at the urging of my XYL.

I had just finished all of the requirements to graduate. I walked in the door after attending my very last night of class. To my surprise, out of the blue, my XYL suggested that we go to the Dayton Hamvention. I was shocked for two reasons. First, my XYL actually was the one to suggest this. Second, how was I to find a hotel room only two weeks before an event of this magnitude? After I picked my jaw up off the floor, and the initial shock wore off, I tried to determine if it would even be feasible to attend. Did I have enough personal time to get off from work? Oddly enough, finding a hotel within about 20 minutes of the Hamvention was not too difficult. Truth be told, the XYL was going to use this trip as a mini-family vacation, so the hotel needed to have an indoor swimming pool as well. The arrangement was such that I would spend my time at the Hamvention while the XYL and the Harmonic spent the day at the hotel and poolside. The hotel was booked, my Hamvention ticket was purchased online, and my internal excitement built up for the next two weeks until the day we departed for Dayton, OH. I felt like a kid waiting for Christmas to come. This was a great first event to return me to active amateur radio status. As you are about to see, energy begets energy.

Coincidentally, we already had a family vacation planned for early July near Philadelphia, PA. A year in advance, I purposely booked an extra night at the hotel just in case inclement weather prevented our at-

tendance at the amusement park. After the Dayton Hamvention 2014 was in the history books, I tried to figure out what we could do on that "extra" day. Going to a mall just seemed too predictable (and boring). After a bit of playing around with online maps, it turned out we would be staying only an hour away from Ham Radio Outlet (HRO) Delaware. This would make for an excellent day trip. It would allow me to save on shipping to return a few pieces of equipment I needed to return, and I would get to play like a kid in a candy store with all the latest and greatest new rigs on the market. This is how we spent our "extra" day, and the manager of HRO Delaware actually spent three hours with me that day. Again, energy begets energy.

The final leg of our family vacation was to Newington, CT. This, of course, is the home of the ARRL headquarters. When planning the family vacation, I asked myself, "How could I come within 3 hours of the ARRL and not stop for a visit?" My XYL certainly didn't mind adding this onto our itinerary. It was more relaxation time and dinners out for her. I ended up receiving a wonderful tour of ARRL headquarters. When I booked the trip a year ago, I didn't even realize I would be arriving just one week before the Centennial Celebration. This turned out to be a blessing. Many, many improvements, organizing and cleaning were done at HQ to prepare for the Centennial. I reaped the benefits, with none of the crowds and commotion that was slated to begin one week later. Throughout the tour, I was able to shake hands and chat with the hams you routinely see in *QST* magazine. I got a behind the scenes tour of the QSL bureau, the test lab, and the executive offices.

The real highlight actually came after the tour. I made a short walk across the parking lot to W1AW.

(Continued on page 7)

*(Continued from page 6)***BUCKET LIST**

As a member of the **ARRL**, simply showing up with a copy of my amateur radio license entitled me to operate W1AW. Joe Carcia, NJ1Q, the station manager, assigned me to operate 15 meters SSB from an Icom IC-7800, Icom's flagship radio. What a thrill it was to call CQ CQ from W100AW (I had to use the special event centennial callsign). After a short 10 second CQ, a large pileup began, mostly European stations, but a few stateside as well. Needless to say, you can get many benefits from your \$39.00 **ARRL** annual membership fee.

Although it was an absolute thrill to operate from W1AW, do not discount what we have right here in our own backyard at **STARS**. While we do not have the latest and greatest rigs, we have some darn good ones. In my opinion, our **STARS** clubhouse station actually rivals that of W1AW. We have a taller tower, similar antennas, similar output power with our amplifier, and a **MUCH LOWER** noise floor. Holy cow, was Newington, CT a noisy location from which to operate! The Nike Base is **SO QUIET** in comparison. In fact, at W1AW, when I turned the beam to aim SW to cover most of the USA, I couldn't hear anything but noise. The only way I was able to lower the noise level in order to hear some stations to work was by pointing the beam towards Europe. (Again, that was on 15 meters - I cannot comment on the other bands.) Joe Carcia, NJ1Q, did mention that Newington, CT was a very electrically noisy town.

Of course, we have since returned from our vacation and now I am excited to attend the Batavia Hamfest. This has been a spring and summer of Amateur Radio "flow." Energy certainly begot energy for me. The moral of the story is to find some aspect of amateur radio that interests you. Whether it is attending a hamfest, researching a new rig, buying a new piece of equipment, entering a contest, ragchewing on HF or the local repeater, or just showing up to a club meeting, taking that first step is important. From there, your amateur radio activity will increase, as the spark has reignited that old flame that may have waned.

Scott Barto

KB2KOL

Licensed since June 1990

**HURRICANE SWLing**

by John Leitten, KA2RFT

*(Editor's Note: "SWLing" is an abbreviation for "Short Wave Listening". This item was written after the landfall of Hurricane Arthur in North Carolina.)*

Last night at the club house we got the Hurricane Net; just for SWLing. It was interesting. They started out on 20 meters, then at 9:00 PM they went to 40 meters.

I almost got on the air to help; that is, to relay information to net control. I could hear both stations 5 by 9. Some other "2" station (I think he was in New Jersey) did the relay. Net control, an "N7" in Arizona, could not hear the other station, a "KD4" on the outer banks of North Carolina.

Also, WX4NHC in Florida (a National Weather Service amateur station), was copying the data; temperature, wind speed/direction, barometer reading, rainfall collected, and the reporting station's QTH. WX4NHC also was giving out the NWS updates on half hour.

My point here is SWLing is one more area of ham radio to enjoy. Arthur is the first hurricane of the 2014 season. If SWLing you may be able to help in doing a relay. You never know.

Here are some related links I found doing a quick look (I am sure there are more):

<http://w4ehw.fiu.edu/wx4nhc-contact.html>

<http://www.hwn.org/resources/storm-names.html>

<http://www.qsl.net/g3yrc/hurricane.htm>

**WANTED****Heathkit SB-220 Amplifier****Contact: Shane, WB2WPM  
716-867-9008**

## TESTING NEEDS

- Legal photo ID (a driver's license is excellent!)
- Current license and/or CSCE documents, if any, and a non-returnable photocopy of each
- Federal Registration Number (FRN); if none, then Social Security Number (SSN)
- \$15 in cash, check or money order
- Two #2 pencils with erasers, and a pen

[\(more info\)](#)

## VE SESSION RESULTS

No candidates appeared for the July, 19th license examinations held by STARS.

## NEW RULES FOR EXPIRED AMATEURS

Most amateurs are aware they can renew an amateur license within the 2 year period following its expiration. Following those 2 years, no renewals could occur. To regain a license after that period, a former licensee had to start all over again by passing certification examinations. A new call sign would be issued.

The Federal Communications Commission has revised the rules for expired amateurs. Specifically, licenses which are past the 2 year expiration can be renewed at their old level through a new process. The process, requires an applicant to prove former licensed status, and successful passing of a Technician level exam. Thereafter, credit will be granted for General and Extra level status, according to the expired license.

The new regulations will take place on August 20th.

For more information, check out the ARRL website at:

<http://www.arrl.org/exam-element-credit>

## EXAM SITES

### 08/02/2014 [Jamestown](#)

Sponsor: CARS  
 Location: Prendergast Library  
 509 Cherry Street 2nd fl conf rm  
 Time: 2:00 PM (Walk-ins allowed)

### 08/16/2014 [Erie PA](#)

Sponsor: Wattsburg Wireless Association  
 Location: Greene Twnshp Mun Bldg Rm 114  
 9333 Tate Road  
 (use district justice entrance)  
 Time: 9:00 AM (Walk-ins allowed)


### 08/17/2014 Lakewood NY

Sponsor: CARS - (at Hamfest)  
 Location: Lakewood Rod & Gun Club  
 433 East Terrace Avenue  
 Lakewood, NY  
 Time: 10:00 AM onward; (Walk-ins allowed)  
 More info: Russell Trippy 487-7592

### 08/19/2014 [Meadville PA](#)

Sponsor: Crawford ARS  
 Location: St Brigid Church Social Hall  
 383 Arch Street  
 Time: 6:30 PM (No walk-ins)

### 08/20/2014 [Lyons](#)

Sponsor: Drumlins ARC   
 Location: Wayne Co Office of Emergency Mgmt  
 7336 State Route 31  
 Time: 7:00 PM (Walk-ins allowed)

[\(control-click on City for more info\)](#)



- Free; no charge for examination



# CONTEST CALENDAR



Start and Finish	Contest Title	Sponsor's Website
Aug 1, 0230Z - Aug 1, 0300Z	NS Weekly Sprint	<a href="http://www.ncccsprint.com">www.ncccsprint.com</a>
Aug 2, 0000Z - Aug 3, 2359Z	Int'l Lighthouse-Lightship Contest	<a href="http://illw.net/">http://illw.net/</a>
Aug 2, 0000Z - Aug 2, 2359Z	TARA Grid Dip Shindig	<a href="http://www.n2ty.org/seasons/tara_grid_rules.html">www.n2ty.org/seasons/tara_grid_rules.html</a>
Aug 2, 0001Z - Aug 3, 2359Z	10-10 Summer Phone QSO Party	<a href="http://www.ten-ten.org/">www.ten-ten.org/</a>
Aug 2, 1200Z - Aug 2, 2359Z	European HF Championship	<a href="http://lea.hamradio.si/~scc/euhf/euhfcrules.htm">http://lea.hamradio.si/~scc/euhf/euhfcrules.htm</a>
Aug 2, 1800Z - Aug 3, 1800Z	ARRL UHF Contest	<a href="http://www.arrl.org/august-uhf">www.arrl.org/august-uhf</a>
Aug 2, 1800Z - Aug 3, 0600Z	North American QSO Party	<a href="http://www.ncjweb.com/nagp">www.ncjweb.com/nagp</a>
Aug 3, 0700Z - Aug 3, 0830Z	RSGB RoPoCo CW	<a href="http://www.rsgbcc.org/hf/rules/2014/ropoco.shtml">http://www.rsgbcc.org/hf/rules/2014/ropoco.shtml</a>
Aug 3, 1300Z - Aug 3, 1630Z	South Africa DX SSB Contest	<a href="http://www.sarl.org.za/public/contests/contestrules.asp">www.sarl.org.za/public/contests/contestrules.asp</a>
Aug 3, 1630Z - see website	OK1WC Memorial Contest	<a href="http://www.memorial-ok1wc.cz">www.memorial-ok1wc.cz</a>
Aug 5, 0100Z - Aug 5, 0300Z	ARS Spartan Sprint	<a href="http://www.arsgrp.blogspot.com/">www.arsgrp.blogspot.com/</a>
Aug 6, 1300Z - see website	CWOps Weekly Mini-CWT	<a href="http://www.cwops.org/cwt.html">www.cwops.org/cwt.html</a>
Aug 7, 0100Z - Aug 7, 0230Z	QRP Fox Hunt	<a href="http://www.qrpfoxhunt.org/summer_rules.htm">www.qrpfoxhunt.org/summer_rules.htm</a>
Aug 8, 0230Z - Aug 8, 0300Z	NCCC Sprint Ladder	<a href="http://www.ncccsprint.com/rules.html">www.ncccsprint.com/rules.html</a>
Aug 9, 0000Z - Aug 10, 2359Z	Worked All Europe	<a href="http://www.waedc.de">www.waedc.de</a>
Aug 9, 1200Z - Aug 10, 2359Z	Straight Key Weekend Sprintathon	<a href="http://www.skccgroup.com/">www.skccgroup.com/</a>
Aug 9, 1600Z - see website	Maryland-DC QSO Party	<a href="http://www.mdcqsoparty.w3vpr.org">www.mdcqsoparty.w3vpr.org</a>
Aug 9, 2000Z - Aug 9, 2400Z	Fall VHF Sprint - 50 MHz	<a href="http://svhfs.org/wp">http://svhfs.org/wp</a>
Aug 10, 1700Z - Aug 10, 2100Z	NJQRP Skeeter Hunt	<a href="http://www.qsl.net/w2lj">www.qsl.net/w2lj</a>
Aug 13, 0030Z - Aug 13, 0230Z	NAQCC Straight Key/Bug Sprint	<a href="http://www.naqcc.info/sprint201408.html">www.naqcc.info/sprint201408.html</a>
Aug 14, 0100Z - Aug 14, 0230Z	QRP Fox Hunt	<a href="http://www.qrpfoxhunt.org/summer_rules.htm">www.qrpfoxhunt.org/summer_rules.htm</a>
Aug 15, 0230Z - Aug 15, 0300Z	NCCC Sprint Ladder	<a href="http://www.ncccsprint.com/rules.html">www.ncccsprint.com/rules.html</a>
Aug 16, 1000Z - Aug 17, 0400Z	ARRL 10 GHz and Up Contest	<a href="http://www.arrl.org/10-ghz-up">www.arrl.org/10-ghz-up</a>
Aug 16, 0000Z - Aug 17, 2400Z	70 cm Digital EME Championship	<a href="http://www.dubus.org/eme.htm">www.dubus.org/eme.htm</a>
Aug 16, 0000Z - see website	SARTG WW RTTY Contest	<a href="http://www.sartg.com/contest/wwrules.htm">www.sartg.com/contest/wwrules.htm</a>
Aug 16, 0800Z - Aug 17, 0800Z	Russian District Award Contest	<a href="http://www.rdaward.org/indexeng.htm">www.rdaward.org/indexeng.htm</a>
Aug 16, 1200Z - Aug 17, 1200Z	Keymen's Club of Japan Contest	<a href="http://www.kcj-cw.com">www.kcj-cw.com</a>
Aug 16, 1800Z - Aug 17, 0600Z	North American QSO Party	<a href="http://www.ncjweb.com/nagp">www.ncjweb.com/nagp</a>
Aug 16, 2000Z - Aug 16, 2200Z	Feld-Hell Gridloc Sprint	<a href="http://www.feldhellclub.org/">www.feldhellclub.org/</a>
Aug 17, 0000Z - Aug 17, 2359Z	Dominican Republic Contest	<a href="http://www.hi8ud.org">www.hi8ud.org</a>
Aug 17, 1300Z - Aug 17, 1630Z	SARL Digital Contest	<a href="http://www.sarl.org.za">www.sarl.org.za</a>
Aug 17, 1800Z - Aug 17, 2359Z	ARRL Rookie Roundup	<a href="http://www.arrl.org/rookie-roundup">www.arrl.org/rookie-roundup</a>
Aug 18, 0100Z - Aug 18, 0300Z	Run For the Bacon	<a href="http://www.fpqrp.org/pigrun">www.fpqrp.org/pigrun</a>
Aug 21, 0100Z - Aug 21, 0230Z	QRP Fox Hunt	<a href="http://www.qrpfoxhunt.org/summer_rules.htm">www.qrpfoxhunt.org/summer_rules.htm</a>
Aug 22, 0230Z - Aug 22, 0300Z	NCCC Sprint Ladder	<a href="http://www.ncccsprint.com/rules.html">www.ncccsprint.com/rules.html</a>
Aug 23, 0400Z - see website	ALARA Contest	<a href="http://www.alara.org.au">www.alara.org.au</a>
Aug 23, 0400Z - Aug 25, 0400Z	Hawaii QSO Party	<a href="http://www.hawaiiqsoparty.org">www.hawaiiqsoparty.org</a>
Aug 23, 1400Z - see website	Kansas QSO Party	<a href="http://www.ksqsoparty.org">www.ksqsoparty.org</a>
Aug 23, 1600Z - Aug 24, 0400Z	Ohio QSO Party	<a href="http://www.ohqp.org">www.ohqp.org</a>
Aug 24, 1300Z - Aug 24, 1630Z	South Africa DX CW Contest	<a href="http://www.sarl.org.za">www.sarl.org.za</a>
Aug 28, 0100Z - Aug 28, 0230Z	QRP Fox Hunt	<a href="http://www.qrpfoxhunt.org/summer_rules.htm">www.qrpfoxhunt.org/summer_rules.htm</a>
Aug 29, 0230Z - Aug 29, 0300Z	NCCC Sprint Ladder	<a href="http://www.ncccsprint.com/rules.html">www.ncccsprint.com/rules.html</a>
Aug 30, 0000Z - Aug 30, 2359Z	Full Day of Hell	<a href="http://www.feldhellclub.org/">www.feldhellclub.org</a>
Aug 30, 1200Z - Aug 31, 1159Z	YO DX HF Contest	<a href="http://www.yodx.ro">www.yodx.ro</a>
Aug 30, 1200Z - Aug 31, 1159Z	SCC RTTY Championship	<a href="http://lea.hamradio.si/scc/rtty/rttyrules.htm">http://lea.hamradio.si/scc/rtty/rttyrules.htm</a>
Aug 30, 1200Z - Aug 31, 0400Z	Colorado QSO Party	<a href="http://www.ppraa.org/">http://www.ppraa.org/</a>
Aug 31, 1400Z - Aug 31, 1600Z	SARL HF CW Contest	<a href="http://www.sarl.org.za/public/contests/contestrules.asp">www.sarl.org.za/public/contests/contestrules.asp</a>



(Control + click to activate a link)

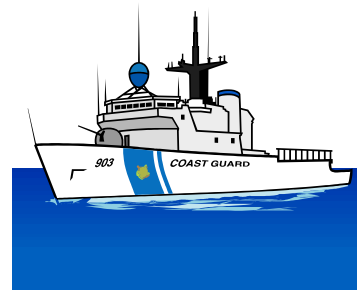


For more information on contests: <http://www.arrl.org/contest-calendar>

# SPECIAL EVENT STATIONS

Full information at: <http://www.arrl.org/special-event-stations>

08/01/2014 Annual Pro Football Hall of Fame Festival  
 08/01/2014 Indiana State Fair  
 08/01/2014 Sunbury Ham Camp  
 08/02/2014 224th US Coast Guard Birthday  
 08/02/2014 Canal Days Marine Heritage Festival  
 08/02/2014 Chillicothe Ross County Ohio Fair  
 08/02/2014 National Lighthouse Week - Mount Dora Lighthouse - USA1407- Repeat Activation  
 08/02/2014 River City Days  
 08/02/2014 World War 1 Centennial Observance  
 08/03/2014 EAA AirVenture 2014  
 08/03/2014 Union County Fair  
 08/03/2014 US Coast Guard 224th Birthday  
 08/04/2014 Indianapolis MotoGP Special Event  
 08/07/2014 Iowa State Fair  
 08/08/2014 2014 ARRL Rocky Mountain Division Convention and Duke City Hamfest  
 08/08/2014 Mayo Clinic Sesquicentennial (150 Years)  
 08/09/2014 Celebrating the 98th anniversary, founding of the town of Braselton, Georgia  
 08/09/2014 Civilian Conservation Corps On-the-Air  
 08/09/2014 Lincoln Highway Link-Up  
 08/09/2014 Raritan Bay Radio Amateurs 60th Anniversary  
 08/09/2014 VJ Day/US Coast Guard Birthday Special Event  
 08/10/2014 Fair Winds Alternative Energy Ham Event  
 08/12/2014 International Pathfinder Camporee  
 08/13/2014 Navajo Code Talkers Day  
 08/14/2014 Avionics Marine Reunion  
 08/14/2014 Northern Illinois Steam Power Show and Threshingbee  
 08/15/2014 147th Annual Marshfield Fair  
 08/15/2014 South Dakota Statehood 125 Years and Yankton River Boat Days  
 08/16/2014 2nd Annual Maligned Swine Special Event  
 08/16/2014 Anniversary Commemoration of Valparaiso Technical Institute  
 08/16/2014 Commemorating Alliance, OH; home of Ohio's State flower; the scarlet carnation.  
 08/16/2014 CVRC/Crawford House Recognition Event  
 08/16/2014 International Lighthouse and Lightship Weekend  
 08/18/2014 XO2C - 150th Anniversary of the Charlottetown Conference  
 08/19/2014 Camp Fantastic Cancer Event  
 08/22/2014 D-Day Reenactment Conneaut, Ohio -- 70th Anniversary of Normandy Landing  
 08/23/2014 "Damn The Torpedos!" - 150 years since the Battle of Mobile Bay  
 08/23/2014 National Park Service Birthday  
 08/26/2014 CG3C - 150th Anniversary of the Charlottetown Conference  
 08/26/2014 Iowa Farm Progress Show  
 08/29/2014 20th Anniversary of The Shawshank Redemption movie  
 08/29/2014 CARA's 35th Annual Trek to the Ghost Town of Paradise, AZ  
 08/29/2014 West End Fair of Monroe County Pennsylvania  
 08/30/2014 72 Rag Chew Labor Day Special Event  
 08/31/2014 Hollenberg Pony Express Festival /154th Anniversary of the Pony Express



## USEFUL INTERNET LINKS

(control + click to use link)

**ARRL MAIN SITE:**

<http://www.arrl.org/home>

**ARRL ATLANTIC DIV.:**

<http://www.atldiv.org>

**CONTESTS:**

<http://www.arrl.org/contest-calendar>

<http://www.hornucopia.com/contestcal/perpetualcal.php>

**HAMFESTS:**

<http://www.arrl.org/hamfests-and-conventions-calendar>

**STARS REFLECTOR:**

<http://groups.yahoo.com/group/STARS-WB2ELW/>

**STARS WEBSITE:**

<http://www.wb2elw.net>

**TELSTAR EDITOR:**

[wb2elw@verizon.net](mailto:wb2elw@verizon.net)