

FIELD DAY ATTRACTS DOZENS OF MEMBERS

It was a beautiful day! The weather was fair and the temperature was perfectly comfortable without any jackets or sweaters. STARS set up and operated four or five separate stations for multiple bands from 70 centimeters through 80 meters. Antennas included a Buddipole, Hustler, conventional dipole, as well as a hand-crafted Moxon quad, built by Don Niles, K2PMC. A Honda EU 2000 generator was used for power, as well as a solar array provided by EMPact America.

Contacts numbered in the hundreds, with a single pair of operators logging over 400 QSOs. CW contacts were 138, while SSB contacts were 534. Field Day Chairman **Pat Groom, KC2VWG**, reports a total of 2670 points, of which 1050 are bonus points.

The furthest contact appeared to be with **S57DX** of Vrhnika, Slovenia. Also, one contact was made with Spain.

(Continued on page 4)

JULY MEETING AT THE NIKE BASE CLUBHOUSE

This month's meeting on July 5th will take place at the STARS Clubhouse at 2782 Lakeview Road, near the Hamburg Town Arena. Featured at the meeting will be a cookout. Hamburgers, hot dogs and pop will be provided. Feel free to bring a side dish or dessert. Food is scheduled for 6 PM, while the meeting will take place at 7 PM.

Another **BAOFENG** UV-5R radio will be offered for a raffle. Once 25 tickets are sold,

(Continued on page 7)

FUND RAISER FOR AUGUST MEETING

STARS will hold a "Chinese Auction" at its August meeting. Funds raised will be applied to the reconstruction of the Clubhouse antenna tower.

The auction/meeting will take place at the Nike Base Clubhouse Station, 2982 Lakeview Road, just west of the Hamburg Town Arena, and will be open to the public.

STARS is requesting donations of gift bas-

(Continued on page 7)

CLUB OFFICERS

President	Ken Pokigo, KC2AYK
Vice President	John Leitten, KA2RFT
Secretary	Keith Patterson, KC2DGC
Financial Sec'y	Judy Levan, N2TEZ
Treasurer	John Czuba, W2IV
Director (past pres.)	Wayne-Carpus, W2ZDP--
Director (1 yr.)	Jon Hall, KC2QKB
Director (2 yr.)	Pat Groom, KC2VWG

Clubhouse Chair	Pat Groom, KC2VWG
Telstar Editor	Tomm Dean, KA2NXY
Webmaster	Marc Fruth, N2UBT

WE DID NOT GOOF!

No one reported any errors in the June 2012 issue of Telstar. We are approaching perfection.

If ewe sea something wee did knot get rite, lettuce no.



wb2elw@verizon.net

BLUE AND UNDERLINED

When you see something in Telstar in blue letters and underlined, that means it is an Internet link. Hold the "Control" key and click on it to open a link to an Internet site.

(control + click) → [sample link](#)

NEW STARS MEMBERS

At the June meeting of STARS, three new members were voted into the club:

Edward Baumeister	KD2CFS	Technician
Robert Caldwell	KD2CFT	Technician
Howard Marien	KD2CAE	General

All three new members recently passed examinations conducted by STARS at the Hamburg Youth Center.



STARS MEETINGS

STARS meetings are at 7:00 PM on the first Thursday of each month, usually at the Hamburg Youth Center, 200 Prospect Avenue (near Hawkins Avenue) in Hamburg.

The next meeting is July 5th, at 7:00 PM, at **the Nike Base Radio Clubhouse** near the Hamburg Town Arena at 2982 Lakeview Road in Hamburg.

All are welcome,

The STARS board meets at 7:00 PM on the 4th Thursday of each month at the Nike Base Radio Clubhouse

The next meeting is July 26th.

All members are welcome.

CLUB NETS

Saturdays	10:00 AM	3.925 MHz +/- QRM
Sundays	9:30 AM	28.380 MHz
Sundays	10:30 AM	147.09 MHz (repeater)
4th Saturdays	9:00 AM	Peg's Place Restaurant Athol Springs

WIN A PORTABLE



Hey, graduates of the recent technician class! Why haven't we heard you checking into any nets? Could it be you still have not purchased a radio? Won't your significant other let you spend anything toward ham radio? Are you too chicken to study all the models available and make an informed purchase? Is that what's troubling you, bunkie?

Well, put away those fears, take hold of your destiny and come to the July 5th meeting. STARS will raffle off a new **BAOFENG UV-5R** portable radio. Tickets go on sale at the July meeting for 5 dollars. The winning ticket will be drawn as soon as 25 tickets are sold. If those tickets are sold during the meeting, the winner will be chosen that night. Oh, seasoned amateurs can also purchase raffle tickets.

The **BAOFENG UV-5R** radio is a compact portable for operations on the 2meter and 70 centimeter bands. The unit has 128 memory positions and includes an LED flashlight built into the top. Use the LED to brighten your life, or to waste battery capacity.

Proceeds from the raffle will support the on-going tower reconstruction project.

LETTER FROM NC

Greetings from somewhere south of the Smith & Weson Line, Northerners call it the Mason-Dixon line. By the time that Y'all read this I will have finally jumped through the hoops that the mortgage company has put up, and moved into my new home. In this post 9-11 world that we live in, the Patriot Act has made us average citizens account for every cent that we have. I'm surprised that they didn't want the serial number from the first dollar that I earned.

Life down here is at somewhat of a slower pace, no one in any hurry. There are no loud cars down here, just loud pick-up trucks and most of them sporting 102" whips. There is a large processing plant for the Smithfield Ham company in town and everyday several truckloads of live hams pass by the house.

My on-the-air activities have been obviously somewhat limited, but I have been able to make a few contacts, the most notable one was my one and only Field Day contact, with WB2ELW. It sure was nice to work the club station and say "hello".

There is a small (22 members) but somewhat active club down here and I have made several friends already, via the local two meter repeater, but I have to learn their Southern Drawl to fully understand them. I will be back in Buffalo the first part of August for two weddings, and I'll be looking for everyone on the club repeater and maybe get in a few "Eyeball" contacts also.

73's and good luck to all from Clinton, NC 28328

Wayne, W2ZDP (former President of STARS)

CLUBHOUSE OPEN

The STARS Nike Base Clubhouse Radio Station is open on all Thursdays, other than meeting nights. Members are welcome to operate the equipment, watch others operate, or simply act like statues.

It's just west of the Hamburg Town Arena on Lakeview Road.



(Continued from page 1)

FIELD DAY

No injuries were reported. However, the birds using the clubhouse for a nesting area were not very happy.

Only one prank of note: one unnamed troublemaker lit up a radio panel with a laser beam, just as **John Leitten, KA2RFT**, pressed the transmit key. Thinking it was a short, he jumped about 3 feet.

President **Ken Pokigo, KC2AYK**, on behalf of the Board of Directors, thanks everyone who assisted in making this Field Day a memorable one for STARS.

Photographs, courtesy of **Linda Jablonski, KC2YMM**, and **Dave Ludlow, KG4LQT**, are included below.



Linda Jablonski, KC2YMM, adjusts the Buddipole antenna.



Dave Ludlow, KD4LQT, adjusts his military surplus radio.



John Leitten, KA2RFT; Tomm Dean, KA2NXY; Bob Koster, KA2WYE; Keith Patterson, KC2DGC; Ed Jablonski, KC2YMN; and Don Niles, K2PMC maneuver the Moxon quad.



Solar array, loaned to STARS by EMPact America.



Jon Hall, KC2QKB; Don Niles, K2PMC; Ken Pokigo, KC2AYK; and John Czuba, W2IV enjoy the shade in the canopy.



Ken Pokigo, KC2AYK, inspects radio, while **John Leitten, KA2RFT** operates and **Scott Barto, KB2KOL** logs.



Judy Levan, N2TEZ; and **Don Niles, K2PMC**; collaborate on a connection.



The Honda EU 2000 generator, so quiet that crickets were employed to chirp while power was being made.



Jon Hall, KC2QKB; and **Ed Jablonski, KC2YMN**; adjust the Bud-dipole, under direction of Ed's granddaughter, **Chloe**.



Judy Levan, N2TEZ; and **Tomm Dean, KA2NXY**; check out the energy supply for operators.



Jon Hall, KC2QKB; and **Don Niles, K2PMC**; enjoy the coolest operating positions.

TESTING NEEDS

- Legal photo ID
- Current license and/or CSCE documents, if any, and a non-returnable photocopy of each
- Federal Registration Number (FRN); if none, then Social Security Number (SSN)
- \$15 in cash, check or money order
- Two #2 pencils with erasers, and a pen

[\(more info\)](#)

VE MANAGER NEEDED

STARS has an opening for the position of VE (Volunteer Examiner) Manager. Duties include the scheduling of exams and personnel, and liaison activities with the ARRL/VEC. (STARS usually offers exams on the 3rd Saturday of each odd-numbered month, at 9:00 AM.)

The ideal candidate would be an amateur extra who is certified as a VE by the ARRL.

If interested, contact **Ken Pokigo, KC2AYK**; or **John Leitten, KA2RFT**.

NEW EXTRA EXAMS

So, you've been studying that pool of questions for the extra exam. You kept putting off sitting for the test, figuring another week or so of study would be helpful. Well, that's commendable!

Unfortunately, the questions you studied were part of a pool that is changing on July 1st. **STARS** will hold their first session with the new question pool on Saturday, July 21st.

For a look at the new questions, buy a new study manual, or stare at the pool at:

<http://www.arrl.org/question-pools>

AREA VE SESSIONS

07/07/2012

[Jamestown](#)

Sponsor: CARS
 Location: Prendergast Library
 509 Cherry Street 2nd floor conf rm
 Time: 2:00 PM (Walk-ins allowed)

7/21/2012

[Hamburg](#)

Sponsor: **STARS**
 Location: Hamburg Youth Center
 200 Prospect Avenue (nr Hawkins Ave)
 Time: 9:00 AM (Walk-ins allowed)

(control +click on City for more info)



QST GOES DIGITAL

NEW! Introducing the Digital Edition of QST. In addition to receiving QST by mail each month, ARRL members have access to the digital edition of QST. You can choose to read QST online, or download the entire issue to your computer or laptop. The new format offers several advantages including enhanced content, convenient access, and a more interactive experience. **Members must have a valid ARRL website login to access the current digital edition of QST and archived editions.**

(Continued from page 1)

JULY MEETING

a winner will be chosen. Last month's radio was won by Tomm Dean, KA2NXY, He reports the radio is working very well. He even participated in the West Seneca CERT Net by using the portable to contact the STARS repeater in Colden from Blasdell. Transmission quality over the 13.5 mile distance was excellent!

Members attending should bring lawn chairs to supplement the existing seating.

Are the poles moving? No, not the neighbors down the block, but the magnetic north and south poles.

Such is theory of some scientists. The topic will be addressed at the July 5th meeting at the Nike Base Clubhouse.

Steve Leitten, KA2RDI, a professional geologist, is a Senior Project Manager with GES, Inc. (an environmental assessment and remediation company). He will speak on that subject. Questions are welcomed.

(Continued from page 1)

FUND RAISER

kets for the auction. If you can provide such a gift, or can solicit them from local businesses, your assistance would be greatly appreciated.

Members attending should bring lawn chairs to supplement the existing seating.

A **BAOFENG UV-5R** portable radio may be made available for a raffle.

Food will be available.

REPORTERS WANTED

Is there an area of amateur radio you would like to see addressed in Telstar? We are seeking reporters to write columns on a regular basis.

If you have an affinity for and knowledge of particular subject areas within amateur radio, your services are requested as a regular columnist.

Topics could include contesting, digital modes, emergency service, equipment review, antenna issues, satellite communications, regulation/legal issues, or any of a number of other areas.

Interested? Contact us at: wb2elw@verizon.net.

HAMFESTS

07/14/2012 [NW PA Hamfest](#)

Location: Greene Township Municipal Bldg.
9333 Tate Road
Erie, PA

Type: ARRL Hamfest

Sponsor: Wattsburg Wireless & Union City
Wireless Associations

Website: <http://nw-pa-hamfest.com>

07/21/2012 [Batavia Hamfest](#)

Location: Alexander Fireman Grounds
Route 98
Alexander, NY 14005

Type: ARRL Hamfest

Sponsor: Lancaster Amateur Radio Club

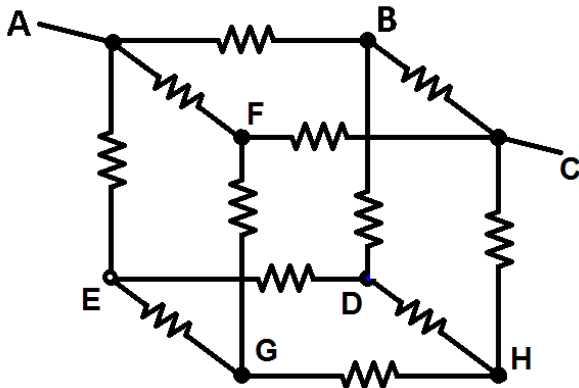
Website: <http://larc.hamgate.net>

TOWER PREPARATIONS CONTINUE

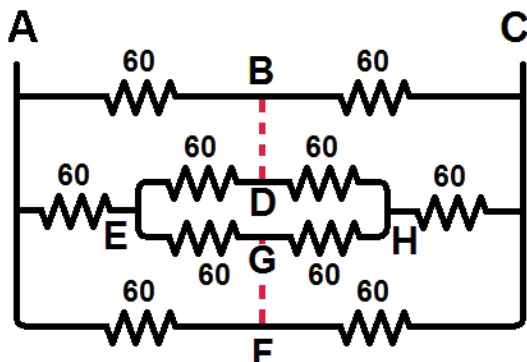
Preparations for installation of the new radio tower are being finalized. Plans include the purchase of concrete and rebar rods, excavation of a foundation hole, continued painting of new tower sections, acquisition of rotor hardware, and enlistment of a crane service.

Members should stay tuned for calls for work crews to assist in the project. Particular questions should be directed to **John Leitten, KA2RFT**.

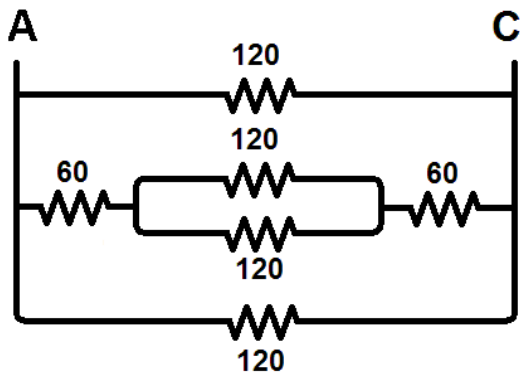
SOLUTION TO LAST MONTH'S PUZZLE



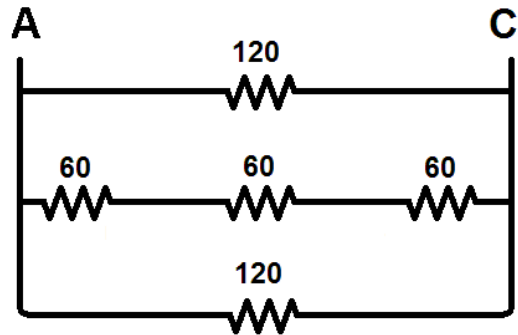
Looking at the cube, points D and G are equally apart from terminals A and C. Thus their potential is exactly half that of the entire cube. Likewise, points B and F meet that same criteria. So, the ends of resistors BD and FG have equal potential at both ends. Thus, no current flows through these resistors; they can be omitted from the circuit.



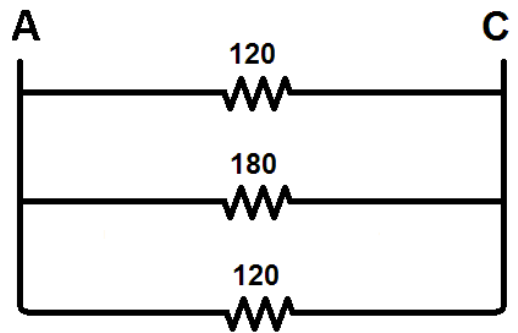
The four sets of series resistors are combined.



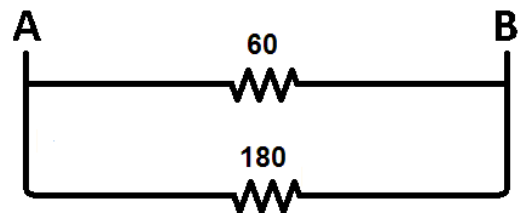
The two parallel resistors are combined.



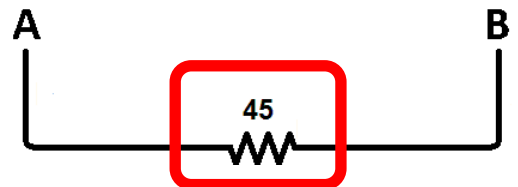
Next, the three series resistors are combined.



For simplicity, the two parallel 120 ohm resistors are combined.



Finally, the remaining two parallel resistors are combined.



Congratulations to **Pat Groom, KC2VWG**, for being the first person to submit the correct answer. He has been awarded a STARS hat and a STARS mug.

A good analysis of all three cube problems (edge, face, and entire cube) can be found at the following site:

<http://web.physics.ucsb.edu/~lecturedemonstrations/Composer/Pages/64.42.html>

CONTEST CALENDAR

Start and Finish	Contest Title	Sponsor's Website
Jul 1, 0000Z - Jul 1, 2359Z	Canada Day Contest	www.rac.ca/service/contesting
Jul 1, 1000Z - Jul 1, 1400Z	WAB 144 MHz Low Power Phone	wab.intermip.net/Contest%20Rules.php
Jul 2, 0000Z - Jul 8, 2400Z	Ten-Ten Spirit of 76 QSO Party	www.ten-ten.org
Jul 2, 1600Z - See website	OK1WC Memorial Contest	www.hamradio.cz/ok1wc
Jul 2, 1900Z - Jul 2, 2030Z,	RSGB 80m Club Championship, CW	www.rsgbcc.org/hf/rules/2012/r80mcc.shtml
Jul 3, 0200Z - Jul 3, 0400Z	ARS Spartan Sprint	www.arsqrp.blogspot.com
Jul 4, 2300Z - Jul 5, 0300Z	MI QRP July 4th Sprint	www.miqrp.org
Jul 6, 0100Z - Jul 6, 0230Z	QRP Fox Hunt	www.qrpfoxhunt.org/summer_rules.htm
Jul 6, 0200Z - Jul 6, 0300Z	SNS and NS Weekly Sprints	www.ncccsprint.com/rules.html
Jul 7, 0000Z - Jul 7, 0400Z	FISTS Summer Sprint	www.fists.org/sprints.html
Jul 7, 0000Z - Jul 8, 2400Z	Venezuelan Indep Day Contest	www.radioclubvenezolano.org/concurso.htm
Jul 7, 1100Z - Jul 8, 1059Z	DL DX RTTY Contest	www.drcg.de
Jul 7, 1500Z, - Jul 8, 1500Z,	Original QRP Contest	www.qrpcc.de/contestrules/oqrpr.html
Jul 7, 8 PM - Jul 8, 2 AM	070 Club Firecracker PSK31 Sprint	www.podxs070.com/
Jul 8, 0000Z - Jul 8, 2359Z	Straight Key Weekend Sprintathon	www.skccgroup.com/sprint/sks/
Jul 8, 1100Z - Jul 8, 1700Z	DARC 10-Meter Digital Corona	www.darc.de/ukw-funksport
Jul 8, 2000Z - Jul 8, 2359Z	QRP ARCI Summer Homebrew	www.qrparci.org/contests
Jul 9, 1800Z - Jul 9, 2000Z,	NAQCC-EU Monthly Sprint	naqcc-eu.org/SprintHelp/SprintRules.pdf
Jul 11, 1900Z - Jul 11, 2030Z,	RSGB 80m Club Championship, SSB	www.rsgbcc.org/hf/rules/2012/r80mcc.shtml
Jul 11, 1300Z - See website	CWops Monthly Mini-CWT Test	www.cwops.org/onair.html
Jul 13, 0100Z - Jul 13, 0230Z,	QRP Fox Hunt	www.qrpfoxhunt.org/summer_rules.htm
Jul 13, 0230Z - Jul 13, 0300Z,	NCCC Sprint	www.ncccsprint.com/rules.html
Jul 14, 0000Z - Jul 14, 0400Z,	FISTS Summer Sprint	www.fists.org/sprints.html
Jul 14, 1200Z - Jul 15, 1200Z	IARU HF World Championship	www.arrl.org/contests
Jul 14, 1200Z - Jul 15, 1200Z	DMC RTTY Contest	www.digital-modes-club.org
Jul 15, 2000Z - Jul 15, 2159Z	CQC Great Colorado Gold Rush	www.cqc.org/contests
Jul 19, 0030Z - Jul 19, 0230Z	NAQCC Monthly QRP Sprint	naqcc.info
Jul 19, 1900Z - Jul 19, 2030Z,	RSGB 80m Club Championship, Data	www.rsgbcc.org/hf/rules/2012/r80mcc.shtml
Jul 20, 0100Z - Jul 20, 0230Z,	QRP Fox Hunt	www.qrpfoxhunt.org/summer_rules.htm
Jul 20, 0230Z - Jul 20, 0300Z,	NCCC Sprint	www.ncccsprint.com/rules.html
Jul 21, 0000Z - Jul 22, 2400Z	144 MHz Digital EME Championship	www.DUBUS.org
Jul 21, 1600Z - Jul 21, 1800Z	Feld-Hell Ten Meter Sprint	sites.google.com/site/feldhellclub
Jul 21, 1800Z - Jul 22, 2100Z	CQ WW VHF Contest	www.cqww-vhf.com
Jul 21, 1800Z - Jul 22, 0600Z	North American QSO Party RTTY	ncjweb.com/naqprules.php
Jul 22, 0900Z - See website	RSBG Low Power Contest	www.rsgbcc.org
Jul 23, 0100Z - Jul 23, 0300Z	Run For the Bacon	www.fqrp.org
Jul 25, 0000Z - Jul 25, 0200Z,	SKCC Sprint	www.skccgroup.com/sprint/sks/
Jul 25, 1300Z - Jul 25, 1400Z, &	CWops Mini-CWT Test	www.cwops.org/onair.html
Jul 25, 1900Z - Jul 25, 2000Z, &		
Jul 26, 0300Z - Jul 26, 0400Z		
Jul 27, 0100Z - Jul 27, 0230Z,	QRP Fox Hunt	www.qrpfoxhunt.org/summer_rules.htm
Jul 27, 0230Z - Jul 27, 0300Z,	NCCC Sprint	www.ncccsprint.com/rules.html
Jul 28, 1200Z - See website	MARAC US Counties QSO Party	www.marac.org
Jul 28, 1200Z - Jul 29, 1200Z	IOTA Contest	www.rsgbcc.org
Jul 28, 1600Z - Jul 29, 1600Z	New Jersey QSO Party	www.njqp.hamshack.info









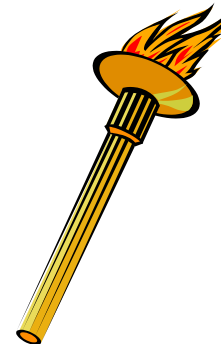
(Control + click to activate a link)



For more information on contests: <http://www.arrl.org/contest-calendar>

SPECIAL EVENT STATIONS

07/01/2012	13 Colonies		
07/01/2012	200th Anniversary of Friendship and Peace Between Canada and USA Following War of 1812		
07/01/2012	200th Anniversary of Peace and Friendship Between USA and Canada		
07/01/2012	Cyprus holding EU Presidency		
07/01/2012	Greenville Farm Power of the Past		
07/01/2012	Lake Pleasant, NY 200th Anniversary		
07/01/2012	Nettlecombe Tout Shutter Telegraph over 200 yrs		
07/04/2012	Independence Day at Fort Missoula		
07/04/2012	Van Wert, OH Holiday at Home		
07/05/2012	CK6S - 100th Anniversary of Calgary Stampede		
07/07/2012	41st Annual Smithville Fiddlers' Jamboree & Craft Festival		
07/07/2012	99 Years on the Lincoln Highway		
07/07/2012	Great River Shakespeare Festival		
07/07/2012	Laura Ingalls Wilder Pageant		
07/07/2012	Lumbee Indian Homecoming		
07/08/2012	Flag Bearing of the Puerto Rico Delegation to the 2012 Summer Olympic Games in London		
07/10/2012	Telstar's 50th Anniversary QSO Party		
07/11/2012	Anniversary of Eddie Stinson's Birth		
07/11/2012	Philipsburg Heritage Days 2012		
07/12/2012	Nude Awareness Celebration - Nude Recreation Week		
07/13/2012	200th Anniversary of the War of 1812		
07/13/2012	Friday the 13th Special Event Operation		
07/13/2012	Oakland County Amateur Radio Society 75th Anniversary		
07/14/2012	43rd Annual Winnebago-Itasca Grand National Rally		
07/14/2012	80th Anniversary of Sandusky Radio Experimental League		
07/14/2012	Independence Day		
07/14/2012	Mid-Summer Festival		
07/14/2012	The Red River Bridge War Special Event		
07/15/2012	60th Anniversary Oldest Continuously Operating Amateur Radio Club in the Metro New Orleans Area		
07/20/2012	Marlette Michigan's 150th Anniversary Celebration		
07/20/2012	Operation Red Sleigh Christmas in July		
07/21/2012	Candor NC Peach Festival		
07/21/2012	Custer Institute		
07/21/2012	Halifax on The Air (All Halifax Towns)		
07/21/2012	Hjemkomst 30th Anniversary		
07/21/2012	RAGBRAI 40th Annual Bicycle Ride Across Iowa		
07/22/2012	Brickyard 400		
07/24/2012	3905 Century Club Net 2012 Eyeball		
07/25/2012	EAA AirVenture 2012		
07/26/2012	75th Anniversary of DCECU		
07/27/2012	Camp Perry National Match		
07/27/2012	Great Texas Balloon Race and National Hot Air Balloon		
07/27/2012	Swiss Days		
07/28/2012	3rd Annual Maker Faire Detroit		
07/28/2012	Grand Mesa 100+		
07/28/2012	Ham Holiday		
07/28/2012	Morgan's Raid of Campbell Station OH		
07/28/2012	Niagara County Community College's 50th Anniversary Celebration		



For more information about these Special Events, 'control+click' on this link:

<http://www.arrl.org/special-event-stations>

USEFUL INTERNET LINKS

(control + click to use link)

STARS WEBSITE: <http://www.wb2elw.com/>

STARS REFLECTOR: <http://groups.yahoo.com/group/STARS-WB2ELW/>

TELSTAR EDITOR wb2elw@verizon.net