

FIELD DAY PREPARATIONS IN PROGRESS

In a break from recent practice, there will be no guest presentation at the monthly meeting on June 7th. Why?? The meeting time will be used to plan for this year's Field Day, scheduled for Saturday, June 23rd through Sunday, June 24th.

For the benefit of all the new amateur radio operators licensed in the past few month, Field Day is an exercise held every year all over the world. It runs for a 24 hour period, and encourages ham operators to set up their radio gear in the "field" and communicate with as many other stations as possible. The objective is to ensure that amateurs can set up and operate stations away from home, using alternate power sources; thus simulating the ability to communicate during emergency conditions.

Traditional activities associated with Field Day include assembling antennas, setting up power sources of generators, batteries and solar cells, establishment of operating stations in outdoor locations, establishment of food and beverage support tables, and protection from animals and weather. Also included is the "showcase" function; operating Field Day stations are excellent ways of showing the public what amateur radio operators do and how they prepare for emergency conditions.

Field Day is also a great place for new amateur operators to get their first taste of long distance communications through many of the HF options. There are usually multiple operating positions available in different modes. Plus, there are always seasoned hams available to answer any questions that may arise.

Tentative plans for this year's Field Day are for a site at the Nike Base Club Station. The station is in an old "blockhouse" type building, 200 feet west of the Hamburg Town Arena, at 2982 :Lakeview Road in Hamburg. Enter the Town facilities from the drive opposite the VFW post on Lakeview Road; it's the building with the fighter jet and armored equipment in the front yard. Set-up will begin at 10:00 AM. Operating will commence at 2:00 PM.

WANTED: Field Day chairman and assistants (to replace the unexpected departure of the previously chairman). Contact Ken Pokigo, KC2AYK, or John Leitten, KA2RFT.

CLUB OFFICERS

President	Ken Pokigo, KC2AYK
Vice President	John Leitten, KA2RFT
Secretary	Keith Patterson, KC2DGC
Financial Sec'y	Judy Levan, N2TEZ
Treasurer	John Czuba, W2IV
Director (past pres.)	Wayne-Carpus, W2ZDP--
Director (1 yr.)	Jon Hall, KC2QKB
Director (2 yr.)	Pat Groom, KC2VWG

Clubhouse Chair	Pat Groom, KC2VWG
Telstar Editor	Tomm Dean, KA2NXY
Webmaster	Marc Fruth, N2UBT

WE DID NOT GOOF!

No one reported any errors in the May 2012 issue of Telstar. We are approaching perfection.

If ewe sea something wee did knot get rite, lettuce no.



wb2elw@verizon.net

BLUE AND UNDERLINED

When you see something in Telstar in blue letters and underlined, that means it is an Internet link. Hold the "Control" key and click on it to open a link to an Internet site. (control + click) ➡ [sample link](#)

KAREN DAVIS ACES IT

Karen Davis, from the New York State Office of the Attorney General, spoke to STARS members at the May 3rd meeting. Her presentation on consumer fraud and identity protection was well received by the audience. Numerous question were posed by the attendees, and answers were provided.

Perhaps the most important thing mentioned, was the need to notify the Attorney General's Office if you suspect foul play in your consumer affairs. Karen Davis can be reached by phone at: **853-8416**, or by mail at 350 Main St. Ste. 300A, Buffalo, NY 14202-3750.

Thanx to Ms. Davis for a job well done with an appreciative audience.

STARS MEETINGS

STARS meetings are at 7:00 PM on the first Thursday of each month at the Hamburg Youth Center, 200 Prospect Avenue (near Hawkins Avenue) in Hamburg.

The next meeting is June 7th, at 7:00 PM

All are welcome,

The STARS board meets at 7:00 PM on the 4th Thursday of each month at the Nike Base Radio Clubhouse near the Hamburg Town Arena at 2982 Lakeview Road in Hamburg.

The next meeting is June 28th.

All members are welcome.

Occasional changes are made for holidays and special events.

CLUB NETS

Saturdays	10:00 AM	3.925 MHz +/- QRM
Sundays	9:30 AM	28.380 MHz
Sundays	10:30 AM	147.09 MHz (repeater)
4th Saturdays	9:00 AM	Peg's Place Restaurant Athol Springs

WIN A FREE PORTABLE



Hey, graduates of the recent technician class! Why haven't we heard you checking into any nets? Could it be you still have not purchased a radio? Won't your significant other let you spend anything toward ham radio? Are you too chicken to study all the models available and make an informed purchase? Is that what's troubling you, bunkie?

Well, put away those fears, take hold of your destiny and come to the June 7th meeting. STARS will raffle off a new **BAOFENG** UV-5R portable radio. Tickets go on sale at the June meeting for 5 dollars. The winning ticket will be drawn as soon as 25 tickets are sold. If those tickets are sold during the meeting, the winner will be chosen that night. Oh, seasoned amateurs can also purchase raffle tickets.

The **BAOFENG** UV-5R radio is a compact portable for operations on the 2meter and 70 centimeter bands. The unit has 128 memory positions and includes an LED flashlight built into the top. Use the LED to brighten your life, or to waste battery capacity.

Proceeds from the raffle will support the on-going tower reconstruction project.

BALLOON CROSSBAND REPEATER

On June 2, 2012, at about 0830 EDT, The PSARC will be launching a high altitude balloon from Hermon, Maine. One of the payloads will be a crossband repeater using 147.570 MHz as the uplink and 446.100 MHz as the downlink. Coverage for this VHF/UHF repeater should be more than 450 miles. Stations as far away as western New York, Long Island, all of New England, and Maritime Canada should be able to work it. Please join PSARC and help us set a distance record (for this repeater). A certificate will be awarded for the station furthest away from the balloon to make contact through the repeater. You can see the latest information about the launch at:

<http://www.n1me.org/Hamfest.php> and at

<http://eece.maine.edu/umhab/> which will be updated shortly before the launch.

CLUBHOUSE OPEN

The STARS Nike Base Clubhouse Radio Station is open on all Thursdays, other than meeting nights. Members are welcome to operate the equipment, watch others operate, or just act like statues. It's just west of the Hamburg Town Arena on Lakeview Road.



TESTING NEEDS

- Legal photo ID
- Current license and/or CSCE documents, if any, and a non-returnable photocopy of each
- Federal Registration Number (FRN); if none, then Social Security Number (SSN)
- \$15 in cash, check or money order
- Two #2 pencils with erasers, and a pen

[\(more info\)](#)

VE MANAGER NEEDED

STARS has an opening for the position of VE (Volunteer Examiner) Manager. Duties include the scheduling of exams and personnel, and liaison activities with the ARRL/VEC. (STARS usually offers exams on the 3rd Saturday of each odd-numbered month, at 9:00 AM.)

The ideal candidate would be an amateur extra who is certified as a VE by the ARRL.

If interested, contact **Ken Pokigo, KC2AYK**; or **John Leitten, KA2RFT**.

VE SESSION RESULTS

The STARS VE session held on Saturday, May 19th, attracted 5 candidates.

Three technician licenses were earned, and two upgrades to general were achieved.

Welcome to **Edward Baumeister, KD2CFS**; **Robert Caldwell, KD2CFT**; and **John Rader, KD2CFU**. Congratulations to new generals **Jeffrey Herdle, KD2BVQ**; and **Howard Marien, KD2CAE**.

The STARS VE team included **Conrad Barrick, KC2WRY**; **Jay Clark, KF2JY**; **Anne Fanelli, WI2G**; **Jim Starr, N2TFA**; and **Tomm Dean, KA2NXY**.

AREA VE SESSIONS

06/02/2012

[Jamestown](#)

Sponsor: CARS
Location: Prendergast Library
 509 Cherry Street 2nd floor conf rm
Time: 2:00 PM (Walk-ins allowed)

06/09/2012

[North Tonawanda](#)

Sponsor: ARA of the Tonawanda's
Location: Fire Headquarters Training Room
 495 Zimmerman Street
Time: 10:00 AM (Walk-ins allowed)

06/11/2012

[Lyons](#)

Sponsor: Drumlins ARC
Location: Wayne Co. Offc of Emergency Mgmt.
Time: 7:15 PM (Walk-ins allowed)

06/19/2012

[Lancaster](#)

Sponsor: Lancaster ARC
Location: Lancaster ARC- Club House Building
 525 Pavement Road
Time: 7:00 PM (Walk-ins allowed)

06/20/2012

[Honolulu](#)

Sponsor: Oahu Civil Defense ARC
Location: American Red Cross
 4155 Diamond Head Road
Time: 6:30 PM (No walk-ins) [Learn More](#)

06/23/2012

[Canandaigua](#)

Sponsor: SQUAW Island ARC
Location: Ontario County EOC
 2914 County Road 48
Time: 7:00 PM (Walk-ins allowed)

06/23/2012

[Perry](#)

Sponsor: Genesee Valley ARA
Location: Perry Village Park
 Lake Street near Buckland Avenue
Time: 10:30 AM (Walk-ins allowed)

(control +click on City for more info)

VERIZON FAILS TO COMMUNICATE

Many of you received 6 copies of Telstar last month. That is in direct contradiction to the "messages sent" records of the Verizon account used to send out the newsletter. An explanation is due.

During April, a new class of amateur operators graduated from the STARS training program in West Seneca. The class was added to the mailing list for Telstar. This raised the mailing list to over 100 addresses.

Apparently, Verizon has a problem with more than 100 addresses on any particular piece of email. When sent, instead of getting a "message sent" indicator, in its place was a message that there was something wrong with the email message. In addition, no evidence of a successful transmission appeared in the "messages sent" area of the webmail page.

As any reasonable person would do, the email was checked for errors. Finding none, the message was resent. Again, an indication appeared that the message was defective. Again, the message never appeared in the "messages sent" area. The process was repeated 4 more times, without receiving typical "message sent" indicator.

Taking a break from the feedback cycle, the "inbox" was checked. The emails with the issue of Telstar were there, EVEN THOUGH THE "MESSAGES SENT" AREA STILL SHOWED NO TRANSMISSION!

Included in the "inbox" was a message from "abuse@verizon.net" entitled "Important notice regarding account abuse." It stated that the account was disabled for a 24 hour period, because more than 500 messages were sent in one hour. Reference was made to the Verizon "Online Policy", and an internet link for that policy was provided:

<http://www2.verizon.net/policies>

A phone number was also provided.

To simplify the story, the phone number was used. After a lengthy period of recordings and options, a human was finally reached. The problem was explained, but Verizon would not change the 24 hour disabled account. A supervisor was requested.

The supervisor contacted an "email" operator by computer. However the "email" operator would not undo the disability. Furthermore, it was explained that NOTHING could be done to restore the account to operational conditions.

The sending of over 500 messages per hour was a direct result of Verizon's failure to indicate that the messages were sent. According to the Verizon webmail's "messages sent" area, ZERO messages were sent. To date, there is no indication that the May Telstar ever went out. It's only messages from recipients asking about receiving 6 copies that gave any indication about successful messages sent. Verizon failed to communicate that those messages were sent.

As any amateur operator knows, a message cannot be considered "sent" until an acknowledgement is received. No acknowledgement has ever been received for any of the 6 copies of Telstar sent.

As far as the 24 hour disabled account issue, Verizon claimed there was NOTHING they could do to restore the account to working order. It was in the system, and I would just have to wait 24 hours.

That raises the question of control of Verizon's system. Do machines or humans control it? If humans cannot control the system, it must be considered "out of control". Verizon has again failed to communicate.

By the way, when the internet link about policy was checked, searches were made on the terms, "500", "100", and "hour". The searches failed to return anything in the policy. It's only after checking one of the dozens of links on that page, that references to numbers of emails sent were found.

Verizon has failed to communicate.

QST GOES DIGITAL

NEW! Introducing the Digital Edition of QST. In addition to receiving QST by mail each month, ARRL members have access to the digital edition of QST. You can choose to read QST online, or download the entire issue to your computer or laptop. The new format offers several advantages including enhanced content, convenient access, and a more interactive experience. **Members must have a valid ARRL website login to access the current digital edition of QST and archived editions.**

REPORTERS WANTED

Is there an area of amateur radio you would like to see addressed in Telstar? We are seeking reporters to write columns on a regular basis.

If you have an affinity for and knowledge of particular subject areas within amateur radio, your services are requested as a regular columnist.

Topics could include contesting, digital modes, emergency service, equipment review, antenna issues, satellite communications, regulation/legal issues, or any of a number of other areas.

Interested? Contact us at: wb2elw@verizon.net.

WIN A STARS HAT AND MUG

It's back! However, the leads have changed again.

Be the first to send the correct answer to wb2elw@verizon.net and win.

Deadline: 6 PM, June 7, 2012. STARS members only; one entry per person.

HAMFEST

06/09/2012 [Chaffee Country Ham-boree](#)

Location: Manion Park
9990 Grove Street
Chaffee, NY

Type: ARRL Hamfest

Sponsor: Pioneer Radio Operators Society

Website: <http://pioneerradiooperatorsociety.bravehost.com>

06/30/2012 [Rochester Hamfest & Technology Exposition](#)

Location: Rochester Institute of Technology -
Gordon Field House
1 Lomb Memorial Drive
Rochester, NY 14602

Type: ARRL Hamfest

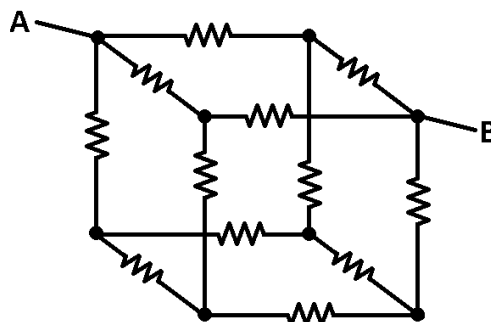
Sponsor: Rochester Amateur Radio Association

Website: <http://www.rochesterhamfest.com/>

**STARS has been
designated a
Special Service
Club**



CUBE PROBLEM

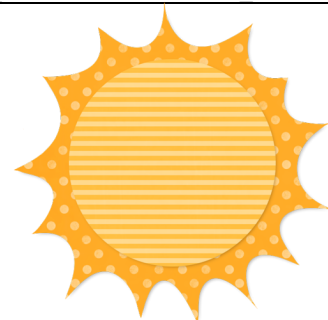
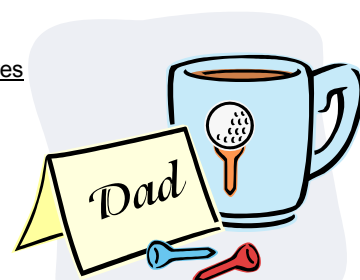


Each resistor in the cube is 60 ohms.

What is the total resistance between A and B?

CONTEST CALENDAR

Start and Finish	Contest Title	Sponsor's Website
Jun 1, 0230Z - Jun 1, 0300Z	NCCC Sprint Ladder	www.ncccsprint.com/rules.html
Jun 1, 1730Z - Jun 1, 1830Z	HA3NS Sprint Memorial Contest	radioamator.honlapepites.hu/
Jun 2, 0600Z - Jun 2, 0800Z	Wake-Up! QRP Sprint	grp.ru/contest/wakeup/333-wakeup-en
Jun 2, 0000Z - Jun 3, 2400Z	Ten-Ten Open Season	www.ten-ten.org
Jun 2, 0400Z - See website	Digifest	www.mixw.net/misc/DigiFest/index.htm
Jun 2, 1100Z - Jun 2, 1500Z	LZ Open 20 Meter Contest	www.lzopen.com
Jun 2, 1200Z - Jun 3, 0300Z	Maritime QSO Party	www.maritimecontestclub.com
Jun 2, 1200Z - Jun 3, 1200Z	SEANET Contest	2012sea.net
Jun 2, 1300Z - Jun 3, 1300Z	UKSMG Sporadic E Contest	www.uksmg.org
Jun 2, 1500Z - Jun 3, 1459Z	IARU Region I Field Day	IARU society websites
Jun 2, 1600Z - Jun 3, 0400Z	Alabama QSO Party	www.alabamagsoparty.org
Jun 2, 1700Z - Jun 3, 2100Z	Six Club Contest	6mt.com
Jun 3, 1100Z - Jun 3, 1700Z	DARC 10 Meter Digital Contest	tinyurl.com/3o3kobs
Jun 4, 1600Z - See website	OK1WC Memorial Contest	www.hamradio.cz/ok1wc
Jun 4, 1900Z - Jun 4, 2030Z	RSGB 80m Club Championship, Data	www.rsgbcc.org/hf/rules/2012/r80mcc.shtml
Jun 5, 0200Z - Jun 5, 0400Z	ARS Spartan Sprint	www.arsqrp.blogspot.com
Jun 8, 0230Z - Jun 8, 0300Z	SNS and NS Weekly Sprints	www.ncccsprint.com/rules.html
Jun 9, 0000Z - Jun 10, 2359Z	WFF Green Days	www.wff44.org
Jun 9, 0000Z - See website	DRCG Long Distance Contest	www.drcg.de
Jun 9, 0600Z - Jun 10, 0600Z	Australian Shires Contest	groups.yahoo.com/group/vkshires
Jun 9, 1100Z - Jun 9, 1300Z	Asia-Pacific Sprint	jsfc.org/apsprint/aprule.txt
Jun 9, 1200Z - Jun 10, 1200Z	Portugal Day	portugaldaycontest.rep.pt
Jun 9, 1500Z - Jun 10, 1500Z	GACW WWSA CW DX Contest	www.wwsatest.org
Jun 9, 1600Z - Jun 10, 1600Z	REF DDFM Six Meter Contest	concours.ref-union.org
Jun 9, 1800Z - Jun 11, 0300Z	ARRL June VHF QSO Party	www.arrl.org/contests
Jun 13, 0030Z - Jun 13, 0230Z	NAQCC Monthly QRP Sprint	naqcc.info
Jun 13, 1300Z - See website	CWops Monthly Mini-CWT Test	www.cwops.org/onair.html
Jun 13, 1800Z - Jun 13, 2000Z	NAQCC-EU Monthly Sprint	naqcc-eu.org/SprintHelp/SprintRules.pdf
Jun 13, 1900Z - Jun 13, 2030Z	RSGB 80m Club Championship, CW	www.rsgbcc.org/hf/rules/2012/r80mcc.shtml
Jun 15, 0230Z - Jun 15, 0300Z	NCCC Sprint Ladder	www.ncccsprint.com/rules.html
Jun 16, 0000Z - Jun 17, 2400Z	All-Asian DX Contest	www.jarl.or.jp/English
Jun 16, 0800Z - Jun 16, 1000Z	SARL Youth Day Sprint	www.sarl.org.za
Jun 16, 1400Z - Jun 16, 1759Z	AGCW VHF/UHF Contest	www.agcw.org/en/?Contests and CW-activities:VHF-UHF Contest
Jun 16, 1500Z - Jun 17, 1500Z	Stew Perry Warmup Contest	web.jzap.com/k7rat/stew.rules.txt
Jun 16, 1500Z - See website	QRP ARCI QRP Shootout	www.qrparci.org/contests
Jun 16, 1600Z - Jun 17, 0200Z	West Virginia QSO Party	www.qsl.net/wvsarc
Jun 16, 1800Z - Jun 16, 2400Z	Kid's Day	www.arrl.org/kids-day
Jun 16, 2000Z - Jun 16, 2200Z	Feld-Hell Field Day Sprint	www.feldhellclub.org
Jun 16, 0000Z - Jun 17, 2359Z	SMIRK QSO Party	www.smirk.org
Jun 17, 0900Z - Jun 17, 1500Z	WAB 50 MHz Phone	www.worked-all-britain.co.uk
Jun 18, 0200Z - Jun 18, 0400Z	Run For the Bacon	www.fpgrp.org
Jun 21, 0000Z - Jun 25, 0000Z	SARL Top Band QSO Party	www.sarl.org.za
Jun 21, 0030Z - Jun 21, 0230Z	NAQCC Milliwatt Sprint	naqcc.info
Jun 21, 1900Z - Jun 21, 2030Z	RSGB 80m Club Championship, SSB	www.rsgbcc.org/hf/rules/2012/r80mcc.shtml
Jun 23, 0000Z - Jun 24, 2400Z	Worldwide EME Contest	www.dubus.org
Jun 23, 1200Z - Jun 24, 1200Z	His Majesty King of Spain	www.ure.es
Jun 23, 1200Z - Jun 24, 1200Z	Ukrainian DX DIGI Contest	www.izmail-dx.com/
Jun 23, 1400Z - Jun 24, 1400Z	Marconi Memorial HF Contest	www.arifano.it/contest_marconi.htm
Jun 23, 1800Z - Jun 24, 2100Z	ARRL Field Day	www.arrl.org/contests
Jun 27, 1300Z - See website	CWops Mini-CWT Test	www.cwops.org/onair.html



(Control + click to activate a link)



For more information on contests: <http://www.arrl.org/contest-calendar>

SPECIAL EVENT STATIONS

06/01/2012	Stars & Stripes Museum
06/02/2012	150th Anniversary of the Civil War Naval Battle of Memphis
06/02/2012	American Cancer Society's Relay For Life
06/02/2012	Badin Bomber Crash 1944
06/02/2012	BB-35 Battleship TEXAS D-Day Commemoration
06/02/2012	D-Day Commemoration
06/02/2012	Museum Ships on the Air
06/02/2012	Museum Ships Weekend
06/02/2012	Museum Ships Weekend Event 2012
06/02/2012	Remembering the Battle of Midway and Richard E. Fleming, USMC, CMH
06/02/2012	Streetsville Bread and Honey Festival
06/02/2012	USS Cavalla/USS Stewart Museum Ships Weekend 2012
06/02/2012	VFW Department of Kansas, 92nd State Convention
06/02/2012	Walthall County Dairy Festival
06/02/2012	Western Mass Council BSA Webelos Woods
06/02/2012	WWII Submarine USS Cobia AGSS-245
06/04/2012	Battle of Midway Commemoration
06/06/2012	Putnam County, NY Bicentennial
06/07/2012	Covered Bridge Days
06/08/2012	2012 Royal Rangers Northern Sectional Pow Wow
06/08/2012	HamCom 2012
06/09/2012	100th Anniversary of Girl Scouting
06/09/2012	Annual Activation of the Northern Most Radio Club in the Contiguous 48 States
06/09/2012	Commemorate Fort Bridger and the Pony Express Re-Ride
06/09/2012	International Museum Ships Radio Event, D-Day Normandy 1944, Navy Hospital Corps Established 1898
06/12/2012	City of Kitchener's 100th Anniversary
06/15/2012	100th Anniversary of the C.W. Parker Carousel at the Burnaby Village Museum
06/15/2012	Great Ohio Bicycle Adventure/Field Day
06/16/2012	367th anniversary of the Battle of Naseby
06/16/2012	Delmarva Chicken Festival
06/16/2012	Newington Amateur Radio League NARLFEST
06/16/2012	Simi Valley History Day
06/16/2012	The War of 1812 Kickoff
06/18/2012	Kitchener Waterloo Amateur Radio Club 90th Anniversary
06/21/2012	Pony Express Reride
06/22/2012	100th Anniversary of the Grotto of the Redemption
06/22/2012	Field Day
06/23/2012	30 Anniversary Jupiter Tequesta Repeater Group
06/23/2012	Field Day and Commemorating the Lives of President and Mrs Ronald Reagan
06/23/2012	Sachse Field Day
06/25/2012	ARRL Radio Field Day
06/29/2012	Cross Plains Trash and Treasures
06/30/2012	13 Colonies Bonus Station
06/30/2012	America's Cup World Series Races
06/30/2012	Original 13 Colonies Independence Week Special Event
06/30/2012	Summermotion



For more information about these Special Events, 'control+click' on this link:

<http://www.arrl.org/special-event-stations>

USEFUL INTERNET LINKS

(control + click to use link)

STARS WEBSITE: <http://www.wb2elw.com/>

STARS REFLECTOR: <http://groups.yahoo.com/group/STARS-WB2ELW/>

TELSTAR EDITOR wb2elw@verizon.net