

telstar



THE NEWSLETTER OF STARS (SOUTH TOWNS AMATEUR RADIO SOCIETY)

DECEMBER 2011

VOL 45 Issue 4

2012 CLUB OFFICERS ELECTED

INSTALLATION AT DECEMBER MEETING

President	Ken Pokigo, KC2AYK
Vice President	John Leitten, KA2RFT
Treasurer	John Czuba, W2IV
Secretary	Keith Patterson, KC2DGC
Financial Sec'y	Judy Levan, N2TEZ
Director	Jon Hall, KC2QKB
Director	Patrick Groom, KC2VWG
◆-----◆	
Clubhouse Chair	Patrick Groom, KC2VWG
Telstar Editor	Tomm Dean, KA2NXY
Webmaster	Marc Fruth, N2UBT

NEXT MEETING ON DECEMBER 1ST

The next meeting of STARS will take place at the Hamburg Youth Center on December 1st, at 7:00 PM.

The meeting will be preceded by the traditional holiday meal. Basics will be provided. However, we ask that everyone bring some canned goods for the local food bank, or a dessert to be shared at the meal.

Come and share food and good company with some of the area's friendliest hams.

SPECIAL THANX

Special thanx are due to Scott Barto, KB2KOL, for years of service as Secretary, and then Vice President.

Also, kudos to Wayne Carpus, W2ZDP, for serving as President of STARS.

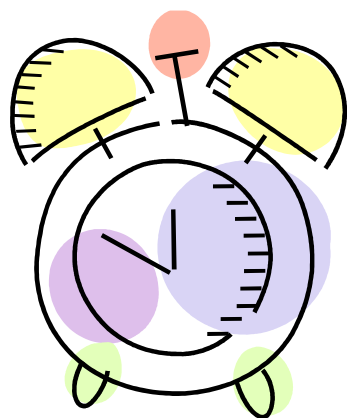
Thanx are also in order to Ken Pokigo, KC2AYK, for an excellent sound interface presentation at November's meeting

STARS MEETINGS

STARS meets at 7:00 PM on the first Thursday of each month at the Hamburg Youth Center, 200 Prospect Avenue (near Hawkins Avenue) in Hamburg. All are welcome,

The Board meets at 7:00 PM on the fourth Thursday of each month at the Nike Base Clubhouse. Meetings are open to members.

Occasional changes are made for holidays and special events.



IT'S TIME TO RENEW

It's time to renew your STARS membership. A 2012 renewal form is included on

the last page. Individual memberships are \$24, families are \$27, and students are \$8.

STARS continues to be one of the largest amateur radio clubs in the Buffalo/Niagara Falls area, but we need each of you to help keep us great.

Won't you do your part by renewing your membership today?

Mail the form along with your dues to:

JUDY LEVAN N2TEZ
120 UNIVERSITY BLVD
DEPEW NY 14043-2974

NWS OFFICE OPEN FOR SKYWARN RECOGNITION DAY



The Buffalo office of the National Weather Service (NWS) is encouraging amateur radio operators to help with a 24 hour special event from Friday, December 2nd at 7 PM until Saturday, December 3rd. At 7 PM.

As part of the National Skywarn Recognition Day, amateur operators at NWS will try to contact as many amateur stations as possible across the country.

For more information, contact Judy Levan, N2TEZ, at 565-0204, or click on this link:

[NWS Special Event](#)

TELSTAR BY EMAIL

Are you still receiving a paper copy of the Telstar? Why not consider getting it by email. You'll receive all the latest news about STARS faster. The Telstar is posted to the web, emailed, and dropped in the mailbox the same day. In addition, you'll save the extra \$6 charge for printing and postage costs.

GET INVOLVED

Let the editor know what you like or don't like about the TELSTAR news letter. Or, better yet, write an article, such as the one on page 5.

Contact the editor: — wb2elw@verizon.net

UNDERLINED BLUE LETTERS

Occasionally, you will see some items in this newsletter in underlined blue letters. That is an indication those letters contain an internet hyperlink.

This means you can use those letters to direct your computer to an internet site that has more information. To use, first make sure your computer's internet browser is on. Then go to this newsletter and using your mouse, point to the underlined blue letters. Then, press and hold the "control" key (CTRL) in the lower left corner of your keyboard. While holding the key down, use the mouse to click on the underlined blue letters. We call this the "control + click" procedure.

This should open an internet site. Try it out... Press the CTRL key and click on this "link": [Hero](#)

AREA VE SESSIONS

12/03/2011

[N Tonawanda](#)

Sponsor: ARA of the Tonawanda's

Location: N Tonawanda Fire Headquarters

Time: 10:00 AM (Walk-ins allowed)

12/03/2011

[Jamestown](#)

Sponsor: CARS

Location: Prendergast Library

Time: 2:00 PM (Walk-ins allowed)

(control +click on City for more info)

IS STARS MENTIONED IN THE DECEMBER ISSUE OF THE ARRL'S QST MAGAZINE?

If so, where?



HAMS AND EGGS

Would you like to get together with other amateur radio operators for an informal breakfast meeting? If so, "Hams and Eggs" may be for you.

The gatherings take place on the fourth Saturday of each month, at 9:00 AM, at Peg's Place Restaurant, 4046 Lake Shore Road, Athol Springs (Hamburg). It's north of St. Francis High School, near the intersections of Lake Shore Road, St. Francis Drive, and Big Tree Road.

Bring your YL, XYL, OM, or even the kids. All are welcome!

STARS REPEATERS

147.09 MHz

Input up 0.6 MHz

PL 107.2

Colden, NY

442.325 MHz

Input up 5 MHz

PL 107.2

Colden, NY

**STARS has been
designated a
Special Service Club
by the ARRL.**



STARS INSTRUCTORS OPERATE SPECIAL EVENT STATION AT SENECA NATION TECHNICIAN CLASS

Students arriving at the Seneca Nation technician training class on Wednesday, November 23rd, were treated to an unexpected demonstration of amateur radio's possibilities. Instructors Bob Koster, KA2WYE; Keith Patterson, KC2DGC; and Wayne Carpus, W2ZDP beat them to the classroom by a couple hours and set up an HF station using a Yaesu FT-857 with the "Buddi-Pole" antenna in a vertical configuration. Along with Michael Gates, KC2ZGC, they operated as a "Special Event" station from the Seneca Nation of Indians on the 20 meter band. States contacted included Alabama 2, Florida 1, Illinois 4, Iowa 1, Kentucky 1, Michigan 1, Minnesota 1, Tennessee 1, Texas 1, and Wisconsin 1. Signals from Europe were heard, but no QSOs materialized. The station operation was an "eye-opener" for the students, and the staff of the Seneca Nation Emergency Management Office, where the class took place.

Also participating were John Leitten, KA2RFT, and Tomm Dean, KA2NXY.



Wayne Carpus, W2ZDP and Keith Patterson, KC2DGC.



ON RADIO, THINK ABOUT WHAT YOU SAY

It was the first day of perfect weather. The sky was cloudless, and a deep shade of blue. Visibility was almost limitless. The temperature was climbing into the 70 degree range.

The airport was busy. Everyone with a pilot's license knew this was perfect flying weather, and the call of the clear sky was loud and clear. Cosmopolitan Aviation, the fixed base operator for the airport had a full house, with all planes reserved. I picked up the keys for a Cessna 172, designated, "Cosmo 23".

I earned my license several months earlier, and spoke of my experiences at work. My assistant, Eddie, told me he had never flown in any type of aircraft. I told him we would take care of that. This was the day for Eddie's first flight.

We checked the plane and took our seats. It was apparent that Eddie was nervous. As we took off, I told Eddie that I would explain everything, so he could relax and enjoy the flight. In the air, at the end of the runway, I made the procedural banking turn.

That's when the extreme nervousness Eddie was experiencing became evident. As the plane tilted to the left, Eddie braced himself, leaning as far to the right as he could. The sensation of banking was unknown to Eddie, and down-right petrifying.

I explained to Eddie that banking is necessary for a plane to turn, and that nothing was wrong or dangerous with the procedure. I told him I would make any future turns as mild as I could.

We did the "New York City Special". We flew west along the south shore of Long Island, then up the Hudson river past the World Trade Center. When we could see Central Park, I asked LaGuardia Tower for permission to travel through their control area en-route to Republic Airport. Permission was granted, and we were directed to fly right over Manhattan and

the LaGuardia control tower.

As we approached Republic, because of the heavy traffic, we were told to stay in a holding pattern 5 miles from the airport. So far, so good. Eddie had calmed down, but still showed some nervousness.

While holding, I noticed a new tapping sound coming from the engine. Even though the plane was still flying fine, I wondered if Eddie heard the same thing.

I asked, "Eddie, do you hear that noise?"

He shot back, "Yes, is that normal?" His nervousness made a full recovery. Beads of sweat could be seen coming from his brow.

Not one to hide behind lies, I replied, "No, it is not normal. However, the engine is running fine and our instruments are all giving proper readings."

We got the call to head for the airport. As I left the holding pattern, I wondered what I could do to calm Eddie. I decided that a message to the control tower might do the trick.

"Republic Airport, this is Cosmo 23. We have a sudden unusual engine noise. We have our full power and full instrumentation. We'd just like a little special attention on the way in." I figured that would ease Eddie's nervousness.

The tower responded, "Roger Cosmo 23, **WE'LL ROLL THE EQUIPMENT!**"

Immediately, Eddie's body stiffened, as though a strong electrical shock had penetrated him. His arms and legs were braced. He was dripping with sweat.

The nervousness got to me. I was afraid Eddie would panic and start grabbing at the controls.

We landed, with fire engines chasing us down the runway. Upon stopping, I just held my head for a few minutes until the adrenaline rush subsided.

As carefully as I chose my words, the response from the tower was unexpected. My intentions of putting Eddie at ease had the opposite effect.

Think twice about what you say and how you say it!



SPECIAL EVENT STATIONS

12/04/2011 - Pearl Harbor Commemoration

- Dec 4-Dec 7, 1400Z-2200Z, W2W, Baltimore, MD. National Electronics Museum (K3NEM). 14.241 14.041 7.241 7.041. Certificate & QSL. W2W, PO Box 1693, MS4015, Baltimore, MD 21203. Other bands/modes possible, K3NEM will spot W2W. k3nem.org

12/10/2011 - Santa Net

- Dec 10, 2030Z-2300Z, W2HO, Newburgh, NY. Orange County Amateur Radio Club. 7.200 3.920 147.500. QSL. Orange County Amateur Radio Club Santa Net, PO Box 624, Cornwall, NY 12518. Santa will speak to all good girls and boys on the HF bands across the US and locally in and around the special event site on 2 m simplex. Santa's elves will be sending QSL cards immediately after the event to the children involved at the address listed in the FCC's database for the call sign used. Santa talks ONLY on the radio; children conversing with Santa at the venue will receive a QSL card on the spot. Santa comes to OCARC every year to help promote Amateur Radio and the spirit of the season! He is considering equipping Rudolph with APRS. w2trr@ocarc-ny.org or www.ocarc-ny.org

12/10/2011 - Holidays from the Twin Christmas Cities of Nazareth and Bethlehem, Pennsylvania

- Dec 10-Dec 11, 1400Z-0200Z, WX3MAS, Nazareth, PA. Christmas City and Delaware/Lehigh Amateur Radio Clubs. 21.365 14.265 7.270 3.850, PSK31 on 20 40 m, 10 15 m if conditions permit. Certificate. Christmas City Amateur Radio Club, RR 8 Greystone Bldg, Nazareth, PA 18064. www.dlarc.org or www.grz.com/db/WX3MAS

12/16/2011 - Oglebay Festival of Lights

- Dec 16-Dec 18, 2000Z-2100Z, W8ZQ, Wheeling, WV. Northern Panhandle Amateur Radio Club. 14.250 7.200. Certificate. Joe T. McCready, PO Box 192, Blaine, OH 43909.

12/31/2011 - 72 Rag Chew New Years Special Event

- Dec 31-Jan 1, 1315Z-1900Z, K1R, Brooklyn, NY. 72 Rag Chew Group. 7.272 7.271. Certificate. Robert Lobenstein, WA2AXZ, 1958 E 36th St, Brooklyn, NY 11234.

For more Special Events, 'control + click' on this link:

<http://www.arrl.org/special-event-stations>

USEFUL INTERNET LINKS

(control + click to use link)

CONTESTS:

<http://www.arrl.org/contest-calendar>

<http://www.hornucopia.com/contestcal/perpetualcal.php>

HAMFESTS:

<http://www.arrl.org/hamfests-and-conventions-calendar>

SPECIAL EVENTS:

<http://www.arrl.org/special-event-stations>

STARS REFLECTOR:

<http://groups.yahoo.com/group/STARS-WB2ELW/>

STARS WEBSITE:

<http://www.wb2elw.com/>

CONTEST CALENDAR

QRP ARCI Topband Sprint	0000Z-0600Z, Dec 1
ARRL 160-Meter Contest	2200Z, Dec 2 to 1600Z, Dec 4
TARA RTTY Melee	0000Z-2400Z, Dec 3
Wake-Up! QRP Sprint	0600Z-0629Z, Dec 3 and 0630Z-0659Z, Dec 3 and 0700Z-0729Z, Dec 3 and 0730Z-0800Z, Dec 3
TOPS Activity Contest	1600Z, Dec 3 to 1559Z, Dec 4
AWA Bruce Kelley Memorial CW Contest	2300Z, Dec 3 to 2300Z, Dec 4 and 2300Z, Dec 10 to 2300Z, Dec 11
ARS Spartan Sprint	0200Z-0400Z, Dec 6
NCCC Sprint Ladder	0230Z-0300Z, Dec 9
ARRL 10-Meter Contest	0000Z, Dec 10 to 2359Z, Dec 11
CWops Mini-CWT Test	1300Z-1400Z, Dec 10 and 1900Z-2000Z, Dec 10 and 0300Z-0400Z, Dec 11
SKCC Weekend Sprint	0000Z-2400Z, Dec 11
NAQCC Straight Key/Bug Sprint	0130Z-0330Z, Dec 14
CWops Mini-CWT Test	1300Z-1400Z, Dec 14 and 1900Z-2000Z, Dec 14 and 0300Z-0400Z, Dec 15
NAQCC-EU Monthly Sprint	1800Z-2000Z, Dec 14
NCCC Sprint Ladder	0230Z-0300Z, Dec 16
AGB-Party Contest	2100Z-2400Z, Dec 16
RAC Winter Contest	0000Z-2359Z, Dec 17
Feld Hell Sprint	0000Z-2400Z, Dec 17
OK DX RTTY Contest	0000Z-2400Z, Dec 17
Lighthouse Christmas Lights QSO Party	0001Z, Dec 17 to 2359Z, Jan 1
Croatian CW Contest	1400Z, Dec 17 to 1400Z, Dec 18
Stew Perry Topband Challenge	1500Z, Dec 17 to 1500Z, Dec 18
ARRL Rookie Roundup, CW	1800Z-2359Z, Dec 18
QRP ARCI Holiday Spirits Homebrew Sprint	2000Z-2400Z, Dec 18
Run for the Bacon QRP Contest	0200Z-0400Z, Dec 19
DARC Christmas Contest	0830Z-1059Z, Dec 26
SKCC Sprint	0000Z-0200Z, Dec 28
CWops Mini-CWT Test	1300Z-1400Z, Dec 28 and 1900Z-2000Z, Dec 28 and 0300Z-0400Z, Dec 29
NAQCC Straight Key/Bug Sprint	0130Z-0330Z, Dec 29



CONTEST LINKS:

<http://www.arrl.org/contest-calendar>

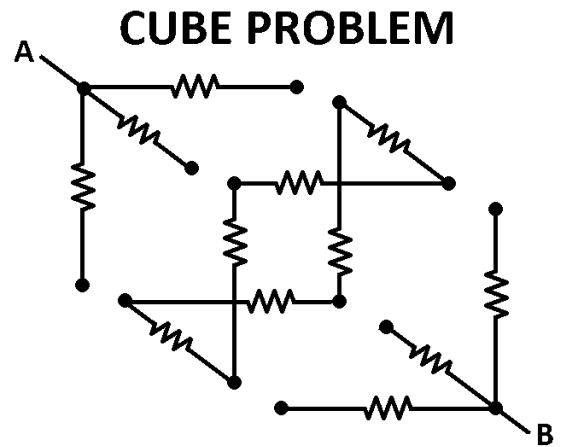
<http://www.hornucopia.com/contestcal/perpetualcal.php>

(Control + click to activate a link)

SOLUTION TO LAST MONTH'S CUBE PROBLEM

Consider the cube to be three separate entities, the 3 resistors leading from point A, the 3 resistors leading from point B, and the remaining 6 resistors in the center. Even though the center resistors are fed from 3 separate points, those points have identical voltages, as each of the resistors leading to the points are equal. The resistors from the points are 3 in parallel, or 10 ohms for each point. The remaining 6 are in parallel, for 5 ohms. Added up in series, the total resistance is $10 + 5 + 10$, or **25 ohms**.

(Prize Winner: **Pat Groom**, KC2VWG — \$15 Tim Horton card)



Each resistor in the cube is 30 ohms.

What is the total resistance between A and B?

WORD SEARCH RADIO TERMS

H	O	T	R	O	R	E	R	E	R	T	S	C
R	O	A	E	T	R	O	T	O	W	E	R	E
S	A	Y	I	E	R	M	T	U	M	T	A	T
P	I	R	F	S	S	I	E	C	B	G	N	R
E	R	E	I	D	C	C	N	T	U	E	T	A
A	E	T	L	A	I	R	A	L	E	D	E	N
K	S	T	P	E	E	O	P	N	S	R	N	S
E	H	A	M	H	D	P	D	G	N	F	N	I
R	C	B	A	R	E	H	R	E	U	E	A	S
R	T	R	E	M	R	O	F	S	N	A	R	T
D	I	A	O	T	U	N	E	R	I	W	R	O
T	W	N	N	N	R	E	S	I	S	T	O	R
T	S	I	D	C	H	O	K	E	K	C	A	J

- AMPLIFIER
- ANTENNA
- BATTERY
- CAPACITOR
- CHOKE
- DIODE
- FUSE
- GROUND
- HEADSET
- INDUCTOR
- JACK
- LED
- METER
- MICROPHONE
- PLUG
- RESISTOR
- SCANNER
- SPEAKER
- SWITCH
- TOWER
- TRANSFORMER
- TRANSISTOR
- TUBE
- TUNER
- WIRE

2012 STARS MEMBERSHIP RENEWAL

CALL SIGN _____ LICENSE CLASS _____

NAME _____

ADDRESS _____

PHONE _____ BIRTHDAY (Month/Date) _____

EMAIL ADDRESS _____

Are you a member of ARRL? YES NO

Do you want to receive your Telstar by email? YES NO

If no, please include \$6 additional to cover the cost of printing and postage.

FOR FAMILY MEMBERSHIPS: Additional names and information:

CALL SIGN _____ NAME _____

CLASS _____ BIRTHDAY (Month/Date) _____

CALL SIGN _____ NAME _____

CLASS _____ BIRTHDAY (Month/Date) _____

CALL SIGN _____ NAME _____

CLASS _____ BIRTHDAY (Month/Date) _____

DUES: STARS Annual dues payable by January 1, 2012

SINGLE \$24

FAMILY \$27

STUDENT (through grade 12 OR full-time college student) \$8

RETURNED COMPLETED FORM AND DUES (Checks payable to STARS) to:

JUDY LEVAN N2TEZ
120 UNIVERSITY BLVD
DEPEW NY 14043-2874