

telstar



THE NEWSLETTER OF STARS (SOUTH TOWNS AMATEUR RADIO SOCIETY)

NOVEMBER 2011

VOL 45 Issue 3

CLUB OFFICERS

President	Wayne Carpus, W2ZDP
Vice President	John Leitten, KA2RFT
Secretary	Keith Patterson, KC2DGC
Financial Sec'y	Judy Levan, N2TEZ
Treasurer	Don Niles, K2PMC
Director	Ken Pokigo, KC2AYK
Director	Jon Hall, KC2QKB

Clubhouse Chair	Pat Groom, KC2VWG
Telstar Editor	Tomm Dean, KA2NXY
Webmaster	Marc Fruth, N2UBT



SINCERE THANX

Heartfelt thanx are due for **Don Niles, K2PMC**, for his excellent work during the past few years as Clubhouse Chairman. Upon stepping down, he will be replaced by **Pat Groom, KC2VWG**

Also, kudos to **Judy Levan, N2TEZ** for publishing an excellent newsletter over the past several years. Her replacement, **Tomm Dean, KA2NXY**, has a very tough act to follow.



NOMINATIONS FOR 2012 OFFICERS

President	Ken Pokigo, KC2AYK
Vice President	John Leitten, KA2RFT
Secretary	Keith Patterson, KC2DGC
Financial Secretary	Judy Levan, N2TEZ
Treasurer	John Czuba, W2IV
Director	Conrad Barrick, KC2WRY Patrick Groom, KC2VWG

**Elections will take place at the monthly meeting,
at 7:00 PM, on Thursday, November 3, 2011,
at the Hamburg Youth Center.**

“Write in” votes are welcome!

RADIO FOR SALE

From Don, W2XB

Yaesu FT-2000
With 500 hz. Filter
DMU monitor
Hand Microphone
Pristine Condition
\$1,950

Contact Ed Patton, N2ING, at 627-2417.

IT'S TIME TO RENEW

It's time to renew your STARS membership. A 2012 renewal form is included on the last page. Individual memberships are \$24, families are \$27, and students are \$8.

STARS continues to be one of the largest amateur radio clubs in the Buffalo/Niagara Falls area, but we need each of you to help keep us great. Won't you do your part by renewing your membership today?

Mail the form along with your dues to:

JUDY LEVAN N2TEZ
120 UNIVERSITY BLVD
DEPEW NY 14043-2974

TELSTAR BY EMAIL

Are you still receiving a paper copy of the Telstar? Why not consider getting it by email. You'll receive all the latest news about STARS faster. The Telstar is posted to the web, emailed, and dropped in the mailbox the same day. In addition, you'll save the extra \$6 charge for printing and postage costs.

HAMS AND EGGS

Would you like to get together with other amateur radio operators for an informal breakfast meeting? If so, "Hams and Eggs" may be for you.

The gatherings take place on the fourth Saturday of each month, at 9:00 AM, at Peg's Place Restaurant, 4046 Lake Shore Road, Athol Springs (Hamburg). It's north of St. Francis High School, near the intersections of Lake Shore Road, St. Francis Drive, and Big Tree Road.

Bring your YL, XYL, OM, or even the kids. All are welcome!



**STARS has been designated a
Special Service Club
by the ARRL.**

NYS QSO PARTY 2011

By John Leitten, KA2RFT

This month we tried something different for Stars. On October 15th, we entered the NYS QSO Party. I know of no other time we have done this as club. I found it a lot of fun and speaking with others, so did they. The big difference is you are the one others want to work. So you call CQ. Stations come back to you at a good clip. The rules are to work as many counties in NYS (62), as many States (50) and as many Canadian Provinces/Territories (9) as you can. This gives a maximum of 121 multipliers. The total score is the number of stations worked times the multipliers.

We worked 47 counties in NYS, 19 States, Ontario and Quebec, giving us a multiplier of 68. We worked 207 stations (about an average of 26/hour). We only worked 80 and 40 meters. The contest ran from 10AM to 10PM. Our total score was 14,076 points. We ran only one rig low power (between 5 and 100 watts) and all contacts were phone. I don't think we will get any award. But you never know until the results are posted. We were never in it to make points; we were in it to have fun.

Mr. Murphy was with us all day. Problem after problem haunted us from the start. The cable from the computer to the rig went sour. We spent a lot of time playing with the N1MM logging software, trying to fix the problem, as it could "talk" to the radio but the radio could not "talk" back. After 2 hours, Don K2PMC went home to get his computer to rig cable. Things worked great with Don's cable. We were off and calling and logging. Later on we wanted to try CW. Two more hours were spent hunting down the problem. Again it was cable problems. We were only operational for 8 of the 12 hours of the contest. The strange thing is, everything worked fine three days before. A few of us think the place is haunted by a SK (HI HI).

IF I miss someone here I am sorry. Everyone who stopped out had a chance to operate/log, including John K2CF, Don K2PMC, John KA2RFT, Scott KB2KOL, Pat KC2VWG, Conrad KC2WRY, Linda KC2YMM, John W2IV, Wayne W2ZDP and Alex who is my 2nd harmonic. Alex also had fun and had a ton of questions for Grandpa after we went home and then more questions on Sunday. Once I told him about taking a test to be able to do this I was told, "I have enough homework all ready." It would be nice to have Grandfather, Son, and Grandson

(continued next column)

(continued from previous column)

all be hams. You never know, time will tell; he is just 12.

N1MM is an amazing logging program. Being a field day chairman for many years before computers, I used to work out the report by hand. This program does everything but make bread. Five minutes after the contest the report was done and ready for printing and emailing. In short, what a great way to spend a very windy and rainy Saturday!

STARS TO CONDUCT ANOTHER LICENSE TRAINING CLASS FOR SENECA NATION

STARS instructors will hold another amateur license training class at the Seneca Nation in Irving this month on four successive Wednesdays:

November 2	12:00 noon to 4:00 PM
November 9	12:00 noon to 4:00 PM
November 16	12:00 noon to 4:00 PM
November 23	12:00 noon to 4:00 PM

If you want to assist with these classes, contact:

Bob Koster, KA2WYE, at 649-7272, or
Ed Patton, N2ING, at 627-2417

STARS MEETINGS

- ★ STARS meetings are at 7:00 PM on the first Thursday of each month at the Hamburg Youth Center, 200 Prospect Avenue (near Hawkins Avenue) in Hamburg.
- ★ Occasional changes are made for holidays and special events.
- ★ The next meeting is November 3rd, at 7:00 PM
- ★ All are welcome,



STARS VE SESSION

STARS will be holding a VE Test Session on Saturday, November 19th, at 9:00 AM. The session will be held at the Hamburg Youth Center (corner of Prospect and Hawkins Aves.)

Walk-ins will be allowed, but pre-registering will help speed up the processing the day of the test.

All candidates should bring the following to the test session:

1. An original photo ID or two other original forms of ID, plus a photocopy of the ID(s) to be turned in to the examiners for their records.
 2. Your current amateur radio license (if any) plus a photocopy of it.
 3. The original copies of any applicable Certificate of Successful Completion of Examination (CSCE) plus a photocopy of each.
 4. A test fee of \$15.00
 5. Your Social Security Number (SSN) or your FCC Federal Registration Number (FRN). Your application for a new or upgraded amateur radio license will be rejected by the FCC if you do not provide one of these numbers.
- For more information, or to register for the test, contact John Crawford KB2VWC 649-5933.

AREA VE SESSIONS

11/05/2011

[N Tonawanda](#)

Sponsor: ARA of the Tonawanda's

Location: N Tonawanda Fire Headquarters

Time: 10:00 AM (Walk-ins allowed)

11/05/2011

[Jamestown](#)

Sponsor: CARS

Location: Prendergast Library

Time: 2:00 PM (Walk-ins allowed)

11/19/2011

[Hamburg](#)

Sponsor: STARS

Location: Hamburg Youth Center

Time: 9:00 AM (Walk-ins allowed)

11/19/2011

[Rochester](#)

Sponsor: Rochester ARA

Location: RIT Bldg 9 Rm 3139

Time: 10:00 AM (Walk-ins allowed)

(control +click on City for more info)

GET INVOLVED

Let the editor know what you like or don't like about the TELSTAR news letter. Or, better yet, write an article.

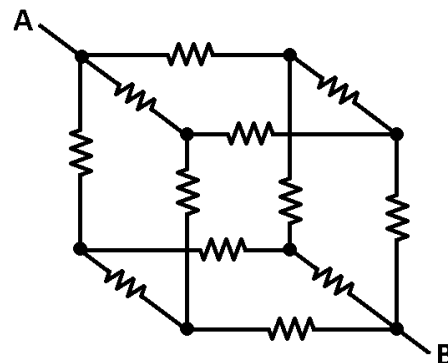
Contact the editor: — wb2elw@verizon.net

WIN A TIM HORTON'S GIFT CARD

Be the first to send the correct answer to wb2elw@verizon.net and win a Tim Horton's gift card. STARS members only; one entry per person.



CUBE PROBLEM



Each resistor in the cube is 30 ohms.

What is the total resistance between A and B?

CONTEST CALENDAR

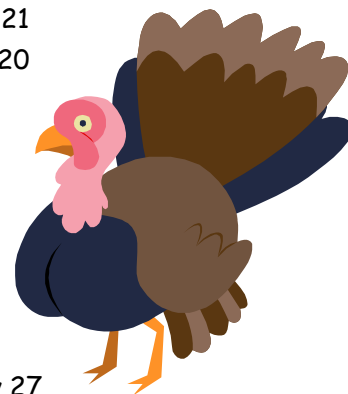
Ukrainian DX Contest
 ARRL Sweepstakes Contest, CW
 High Speed Club CW Contest
 DARC 10-Meter Digital Contest
 CWops Mini-CWT Test

RSGB 80m Club Sprint, SSB
 WAE DX Contest, RTTY
 10-10 Int. Fall Contest, Digital
 JIDX Phone Contest
 OK/OM DX Contest, CW
 CWops Mini-CWT Test

Kentucky QSO Party
 CQ-WE Contest
 SKCC Weekend Sprint
 NAQCC-EU Monthly Sprint
 NAQCC Straight Key/Bug Sprint
 YO International PSK31 Contest
 ARRL EME Contest
 SARL Field Day Contest
 LZ DX Contest
 All Austrian 160-Meter Contest
 Feld Hell Sprint
 ARRL Sweepstakes Contest, SSB
 RSGB 2nd 1.8 MHz Contest, CW
 EPC PSK63 QSO Party
 Run for the Bacon QRP Contest
 SKCC Sprint
 CWops Mini-CWT Test

RSGB 80m Club Sprint, CW
 CQ Worldwide DX Contest, CW
 SARL Digital Contest

1200Z, Nov 5 to 1200Z, Nov 6
 2100Z, Nov 5 to 0300Z, Nov 7
 0900Z-1700Z, Nov 6
 1100Z-1700Z, Nov 6
 1300Z-1400Z, Nov 9 and
 1900Z-2000Z, Nov 9 and
 0300Z-0400Z, Nov 10
 2000Z-2130Z, Nov 9
 0000Z, Nov 12 to 2359Z, Nov 13
 0001Z, Nov 12 to 2359Z, Nov 13
 0700Z, Nov 12 to 1300Z, Nov 13
 1200Z, Nov 12 to 1200Z, Nov 13
 1300Z-1400Z, Nov 12 and
 1900Z-2000Z, Nov 12 and
 0300Z-0400Z, Nov 13
 1400Z, Nov 12 to 0200Z, Nov 13
 1900Z, Nov 12 to 0500Z, Nov 14
 0000Z-2400Z, Nov 13
 1800Z-2000Z, Nov 14
 0130Z-0330Z, Nov 17
 1600Z-2200Z, Nov 18
 0000Z, Nov 19 to 2359Z, Nov 20
 1000Z, Nov 19 to 1000Z, Nov 20
 1200Z, Nov 19 to 1200Z, Nov 20
 1600Z, Nov 19 to 0700Z, Nov 20
 1600Z-1800Z, Nov 19
 2100Z, Nov 19 to 0300Z, Nov 21
 2100Z, Nov 19 to 0100Z, Nov 20
 0000Z-2400Z, Nov 20
 0200Z-0400Z, Nov 21
 0000Z-0200Z, Nov 23
 1300Z-1400Z, Nov 23 and
 1900Z-2000Z, Nov 23 and
 0300Z-0400Z, Nov 24
 2000Z-2130Z, Nov 24
 0000Z, Nov 26 to 2400Z, Nov 27
 1300Z-1600Z, Nov 27



CONTEST LINKS:

<http://www.arrl.org/contest-calendar>

<http://www.hornucopia.com/contestcal/perpetualcal.php>

(Control + click to activate a link)

SPECIAL EVENT STATIONS

- 11/03/2011 | Remembering the Edmund Fitzgerald
 - Nov 3-Nov 6, 1700Z-1700Z, N8F and K8F, Whitefish Point (N8F) and Paradise (K8F), MI. Stu Rockafellow Amateur Radio Society. 21.360 14.260 7.260 3.860. Certificate. Richard A. Barker, W8VS, 264 N East St, Brighton, MI 48116. Also participating in the event are WOJH, The Stillwater Amateur Radio Association and W8F, The Livonia Amateur Radio Club. Please observe QSL routes for each club.
www.qsl.net/w8njh/index.html
- 11/11/2011 | Veterans Day Special Event
 - Nov 11, 1000Z-1400Z, W3UDX, Butler, PA. Butler County Amateur Radio Association. 14.250 7.200 3.900. QSL. Obie King, 336 Westbrook Dr, Butler, PA 16001. www.w3udx.org
- 11/12/2011 | Elizabeth Cady Stanton - Woman's Suffrage Event
 - Nov 12-Nov 13, 1400Z-2100Z, K2JJI, Johnstown, NY. Tryon Amateur Radio Club. See URL for frequencies. Certificate. Tryon Amateur Radio Club, 230 Old State Rd, Johnstown, NY 12095. This is the first annual event in recognition for Elizabeth Cady Stanton, often credited with initiating the first organized woman's rights and woman's suffrage movements in the United States. All detail information is found at www.k2jji.org

For more Special Events, 'control+click' on this link:

<http://www.arrl.org/special-event-stations>

USEFUL INTERNET LINKS

(control + click to use link)

- CONTESTS:** <http://www.arrl.org/contest-calendar>
<http://www.hornucopia.com/contestcal/perpetualcal.php>
- HAMFESTS:** <http://www.arrl.org/hamfests-and-conventions-calendar>
- SPECIAL EVENTS:** <http://www.arrl.org/special-event-stations>
- STARS WEBSITE:** <http://www.wb2elw.com/>
- STARS REFLECTOR:** <http://groups.yahoo.com/group/STARS-WB2ELW/>

(The Reflector is the best source of current information about activity in the Southtowns Amateur Radio Society.)

Click on "Join This Group" to register. This will allow you to post messages to the site.

2012 STARS MEMBERSHIP RENEWAL

CALL SIGN _____ LICENSE CLASS _____

NAME _____

ADDRESS _____

PHONE _____ BIRTHDAY (Month/Date) _____

EMAIL ADDRESS _____

Are you a member of ARRL? YES NO

Do you want to receive your Telstar by email? YES NO

If no, please include \$6 additional to cover the cost of printing and postage.

FOR FAMILY MEMBERSHIPS: Additional names and information:

CALL SIGN _____ NAME _____

CLASS _____ BIRTHDAY (Month/Date) _____

CALL SIGN _____ NAME _____

CLASS _____ BIRTHDAY (Month/Date) _____

CALL SIGN _____ NAME _____

CLASS _____ BIRTHDAY (Month/Date) _____

DUES: STARS Annual dues payable by January 1

SINGLE \$24

FAMILY \$27

STUDENT (through grade 12 OR full-time college student) \$8

RETURNED COMPLETED FORM AND DUES (Checks payable to STARS) to:

JUDY LEVAN N2TEZ
120 UNIVERSITY BLVD
DEPEW NY 14043-2874