

# telstar



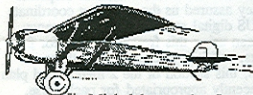
THE MONTHLY NEWSLETTER OF STARS (SOUTH TOWNS AMATEUR RADIO SOCIETY)

ISSUE 148

APRIL, 1993

## Air Crash Hoax Brings Fine and Jail!

Wayne A. Michalak, a 19-year old Appleton man, was led off to jail in tears after being sentenced to 60 days in jail for falsely reporting an airplane crash over an amateur radio two months ago!



Michalak was also fined \$5,000 and was sentenced to 20 work weekends in the county jail and a year's probation. He also was ordered to undergo mental health counseling.

Michalak, who does not hold an amateur radio license, purchased a ham radio from a local electronics store and promptly broadcast fake distress calls on January 25 which resulted in a two-day land and air search for a missing plane in the Somerset area. Officials estimated that the search cost \$60,000 to \$70,000.

Employees at the electronics store were suspicious when Michalak returned the radio to their store the next day, and they noted that it had been programmed with the frequencies of the repeater over which the fake messages had been transmitted. They reported this to the police, which ultimately led to his arrest.

Legitimate amateur radio operators worked with government officials trying to help in what they believed at the time to be a valid emergency.

## April Meeting

The April meeting will be held on Thursday April 1 (No fooling!) starting at 7 PM at the Hamburg Youth Center (Prospect and Hawkins Aves.). Everyone interested in amateur radio is invited; neither club membership nor an amateur radio license is required.

*You are invited*

Tom Dunham N2KBI  
of the National  
Weather Service  
and John Leitten  
KA2RFT will  
give us an update

on SKYWARN and on the new weather radar proposed for Western New York.

Lots of things are going on with the club; you won't want to miss this meeting!

They were outraged when they found out that amateur radio had been used by a non-ham to commit a hoax.

Michalak's lawyer had sought community service for him saying that jail would be inappropriate for his client. The lawyer said, "It is inconceivable to imagine that jail would in anyway rehabilitate this young man." Perhaps not, but many amateurs probably thought that it might teach him a good lesson!

It is ironic that if Michalak had held a valid amateur radio license when he committed this fraud, he could have been subject to a much longer jail sentence and a much greater fine under federal laws!

# ★ STARS ★

## STARS & ARRL Memberships

Membership in STARS is open to anyone with an interest in amateur radio; an amateur radio license is not required.

Membership applications may be obtained by sending a SASE to Frank Modzelewski WG2H, 1818 Clinton Street, Buffalo, NY 14206, from the newsletter editor or from board members.

Annual dues are payable on January 1 and are \$15 for a single membership, \$23 for family memberships and \$8 for a student membership (through grade 12). The dues are pro-rated on a monthly basis for new members plus there is an initiation fee of \$5 when first applying to the club. For example, a new member joining in July would pay \$7.50 (6 months X \$1.25/month) plus the \$5.00 initiation fee for a total of \$12.50.

Applications should be returned to Frank WG2H along with the appropriate dues. The applications will be reviewed and voted on by the Board of Directors at their business meeting. The applications are then voted on by the general membership at the next regular club meeting.

Members should send their ARRL renewal memberships to Jack Cullum, Jr. KB2ESM, 6871 Webster Rd., Orchard Park, NY 14127 along with a check made out to STARS. No extra cost to you and STARS benefits!

## Club Nets

STARS club nets are open to all to exchange information on local amateur radio activities.

STARS HF net meets at 10 AM local time on Saturdays on 3.925 Mhz +/- QRM. Net control is usually Guz WB2EZU.

STARS VHF net meets at 7 PM on Wednesdays on STARS club repeater WB2ELW 147.09/.69 (output/input). Net control is Bill N2GAO.

STARS Traders Net meets at 7:30 PM on Tuesdays on the 147.09 repeater. Net control is Dennis K2CEC.

## From the Prez

I would like to thank Dennis Uminski, and his Coast Guard Auxillary associates, for their excellent presentation on the relationship between amateur radio and the Coast Guard Auxillary. We were treated to several videotapes, as well as an overhead presentation. Considerable interest was generated among those attending this "snowy" meeting.



This month's presentation will be part 2 of Skywrm, presented by KA2RFT and his meteorological associates.

Remember our meetings start promptly at 7pm!

For this month's digital news, the BBS has moved to its final coordinated frequency of 145.71 Mhz. QRM on the former frequency forced the move. The new frequency is coordinated by VE3CDX, the packet coordinator for the Western NY Southern Ontario Repeater Council. They assured us they will not coordinate any other US digital stations on this frequency. We have been using this frequency now for the last 3 weeks, and it is just super. For those of you curious, this section of the 2 meter band plan has been recently appropriated for packet use, with 20Khz spacing between stations. Currently there is activity on 145.61, .63, .65, .67, .69, .71, and .73.

The BBS has upgraded its software to a new version of FBB, which will automatically add addresses to your outgoing messages, if the destination has sent mail through the system! Other super developments to follow. Oh well... time to rewrite the users' manual, just about from scratch...

The Nike Base back room is finished, and the library is up and running. Any donations to the library, or to the Nike Base, are to be cleared with WA2IQX first, to avoid duplication. The room is beautiful.. you have to check it out! See you at the meeting this Thursday.

73, Greg KE2VW

## STARS GOSSIP COLUMN

The April meeting is to be on the first day of April. I sure hope the weatherman cooperates better than he did for the March meeting, which had the Coast Guard program as one of the main programs.

Shane WB2WPM is going to start a raffle for some very sophisticated equipment, so bring along a few extra bucks and take a chance on it. Your contribution will be a big help in defraying the extra expenses that are coming up, like the remodeling of the Nike Base club rooms.

Not enough can be said about the remodeling of the Nike Base club rooms. From what I hear, it is coming along very well. Even with the bad weather, the crew were out there finishing some of the small details that mean so much for a nice complete job.

By the way, the raffle prize is a PK-88 packet controller. For more info and for your tickets, get in touch with Shane WB2WPM.

Hope some members are ready for the STARS FCC ARRL amateur radio test. Get in touch with Norm KD2KK. Remember Greg, chairman, has a set up to take walk ins, but you must come in early. It is on April 7 in Hamburg, NY.

Mark KE2YQ is conducting Novice and Tech classes at the Hamburg Youth Center. As this goes to press, he will already be started. (Editor's Note: See page 5 for an update on the classes.)

Well, it seems that the packet boys are happy in what has been accomplished lately. Of course, someone will come up with some new ideas to improve it, or try to make it better or faster.

Happy Hamming! Guz WB2EZU

### STARS Raffle

STARS will be giving away a PK-88 packet TNC at the April meeting in a very special raffle. Tickets are \$2 each or 3 for \$5.

Even though we had a small crowd at the March meeting because of the snow storm, the ticket sales for this raffle were very good, showing that there is a definite interest in raffles of this type. With our usual crowd at the April meeting, we should be able to sell enough tickets to make this a very nice (and painless!) moneymaker for the club.



For more information, contact Shane WB2WPM at 675-5797.

### SAREX Update

The much delayed shuttle mission STS-55 again ran into bad luck when the computer aborted the mission with only 3 seconds till lift-off! The mission will again be delayed.

The ARRL has reported that there is a possibility that STS-56 will move ahead of STS-55 in the schedule and may be launched during April. This is of importance to Western New York amateurs in that STS-56 will have an all-ham crew and will probably be the easiest shuttle flight this year for us to hear/work. It will be launched with a much higher inclination angle which will bring it much further north. Stay tuned to the various new sources for information on the shuttle launch dates.

Remember that the shuttle always uses split frequencies for uplink and downlink on both packet and voice so never transmit on the frequency you hear them on.

The ARRL has also reported that there is a good chance that one or two more shuttle flights towards the end of the year will add the SAREX experiment.

# " 12 Volt Power Supply "

From WA2DII

This supply features 1.5% regulation, short circuit protection and NO AC hum at all !

The main part of the supply is the regulator IC . This device takes anything from about 17 to 30 volts input and puts out 1 to 30 volts, regulated at 1.5 amperes maximum . So 1.5 amperes is too low for most rigs, an emitter follower is added to the output to help it out. Even if the pass transistor only has a gain of 10, a 10 amp. load will only look like a 1 amp. load to the regulator, will within it's capacity.

The protection circuit T3 is really not needed, but it is a worthwhile safeguard !

ALL transistors MUST have large heat sinks !!(T1&T2)  
Capacitor C1 should be at least 3000 MFD for every amp. of regulation output used.  
You can use more than one.

ALL PARTS ARE RADIO SHACK #

T1 & T2 = 2N3055 # 276-2041

T3 = # 276-2017

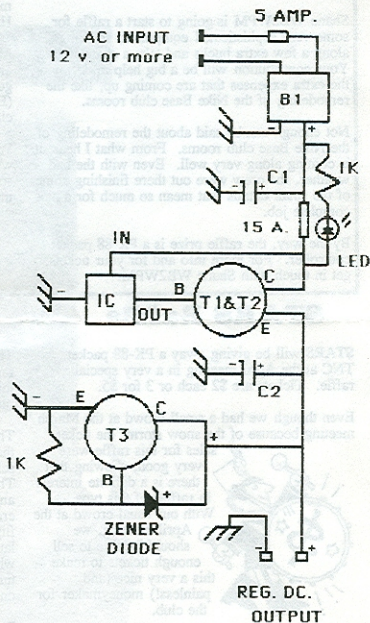
B1 = Bridge Rect. 25a.50pvi  
# 276-1185

IC = LM 317T # 276-1778 Use parts on back of package to complete circuit.

Resistor = 1K OHM 1/2 watt

Zener Diode = 15 volt 1 watt  
# 276-564

Fuse Blow Ind. = LED Any one



## Amateur Radio Examinations

STARS will hold an amateur radio test session on April 7, 1993 in Hamburg, NY. For information, contact Norm Jones KD2KK at 824-1148.

Lancaster ARC (LARC) will hold test sessions on April 21, May 19 and June 16, 1993 in Lancaster, NY. For information, call Chuck Koester WD2AIK at 937-3592.

ARATS will hold test sessions on April 17, May 8 and June 5, 1993 in Tonawanda, NY. For information, call Vern Siegel AA2AC at 693-5977 (days) or 634-5276 (nights).

Lockport ARA (LARA) will hold a test session on June 30, 1993 in Lockport, NY. For information, call Judy Cianchetti at 751-9223.

Most sessions except for STARS do not allow walk-ins, so call ahead and make a reservation.

People desiring to take Novice exams only should contact John Leitten KA2RFT at 648-0341 or write to Dick Haungs W2UJR, 11315 Cary Road, Alden, NY 14004-9547.

## Congratulations

Mick Waclawski N2PZX has completed his requirements to be an Extra Class amateur!

Jerry Ferraro W2TKQ has proudly announced that he has upgraded to Advanced Class!

Members receiving (or still waiting for!) their new Tech Class licenses included Ralph Gardner, Robert Sitek, Wayne Conover and Paul Gastle!

If you have received a new license or upgraded to a new class, let Terry KM4XZ know at 656-0865 so that we can let others know about your accomplishments!

## Training Classes

Mark KE2YQ has announced that the turn-out for the Novice and Tech training classes did not justify us continuing them at this time. He plans to offer the classes later this year. We need to get behind this effort and spread the word so that we can help bring more people into our hobby!

## Field Day

The ARRL has announced a new rule change for the 1993 Field Day. Clubs will be allowed to have a "free" VHF/UHF station similar to the "free" packet and satellite stations. Thus, if we ran 3A as we did last year, we could run the VHF/UHF station at the same time we ran 3 HF stations. This rule change is apparently designed to bring more of the no-code Techs into Field Day since they have full VHF/UHF privileges. Of course, no-code Techs can also operate on HF during the contest with amateurs with HF privileges serving as control operators. Field Day is the last weekend in June, so mark your calendars!

## Pumpkin Patrol

The state organizers of the Pumpkin Patrol are looking for someone to take over Ed N2NUN's role as local organizer for this year's Pumpkin Patrol. This event has amateur radio operators watching bridges of the New York State Thruway on Halloween and reporting anyone throwing objects from them. If you are interested, contact Terry KM4XZ at 656-0865.

## Thanks!



STARS would like to thank Jim Cicatello for his recent donation of equipment and a book to help with the Nike Base remodeling.

Others with donations should contact Bob Witt WA2IQX at 648-4274.



# STARS



## Board of Directors

President	Greg Young	KE2VW
Vice President	Bob Witt	WA2IOX
Treasurer	Jack Cullum	KB2ESM
Fin. Sec.	Frank Modzelewski	WG2H
Secretary	Dave Baco	WA2TVT
Director	Terry Rockhold	KM4XZ
Director	Shane Brady	WB2WPM

## Telstar

Editor Terry Rockhold KM4XZ

## Club Repeater

The club repeater (WB2ELW/R) is located near Colden, NY (147.09/.69 output/input). The repeater is open to all amateurs. Autopatch privileges are available to club members.

## Club Meetings

Club meetings are normally held on the first Thursday of the month at the Hamburg Youth Center (Prospect and Hawkins Aves.) at 7:00 PM. Everyone is welcome; neither club membership nor an amateur radio license is required.

Business meetings are held on the third Thursday of the month at the Hamburg Youth Center at 7:30 PM and are open to all club members.

## Club HF Stations

The club Nike Base HF Station (WB2ELW) is located on Lakeview Rd. 1.75 miles e. of Rte 20 next to the Hamburg Town Arena. The station is operated on most Mondays between 7-9 PM local time and is a great DX station. All are welcome.

A second club HF station is located at the Hamburg Youth Center.

# STARS

Terry W. Rockhold KM4XZ  
4805 Transit Road #1903  
Depew, NY 14043  
(716) 656-0865



JOHN CULLUM JR KB2ESM  
6871 E. WEBSTER  
ORCHARD PARK, NY 14127